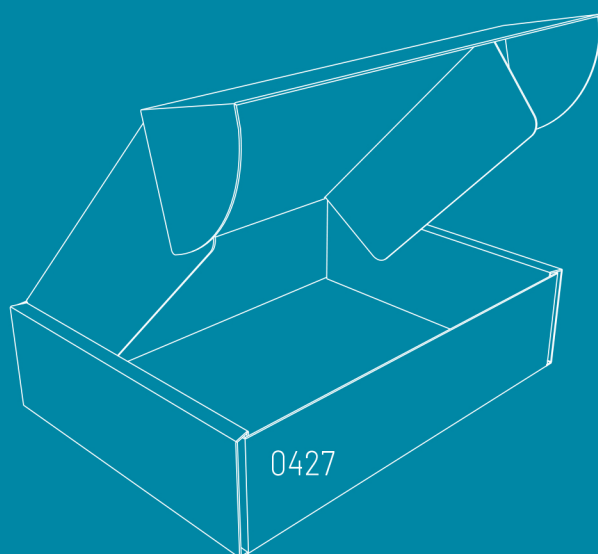
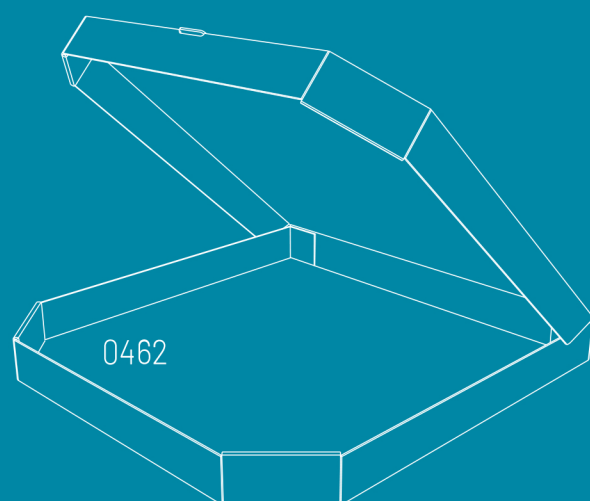
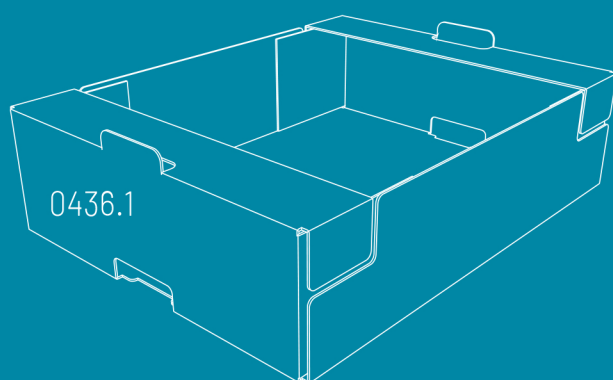
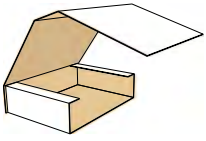


## CAJAS TROQUELADAS AUTOMONTABLES Y BANDEJAS TIPO CARPETA

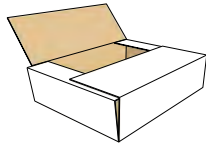
Las cajas de carpetas y las bandejas generalmente están hechas de una sola pieza de cartón. El fondo de la caja se articula para formar dos o todas las paredes laterales y la tapa. Pestañas de bloqueo, asas, paneles de visualización, etc. se pueden incorporar en algunos diseños.



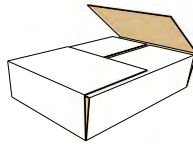
0400 M



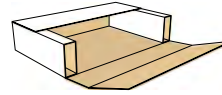
0401 M



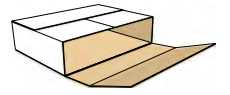
0402 M



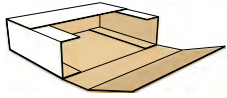
0403 M



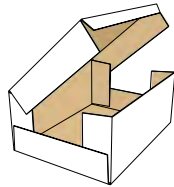
0404 M



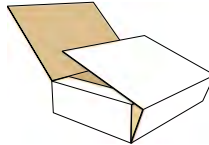
0405 M



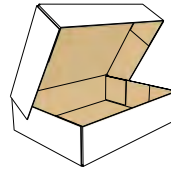
0406 A



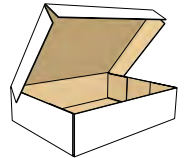
0407 M  
NEW



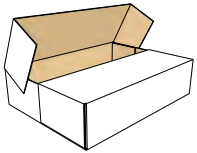
0409 M/A



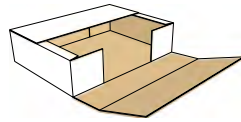
0410 M/A



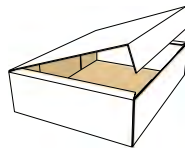
0411 M/A



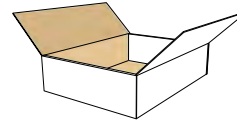
0412 M



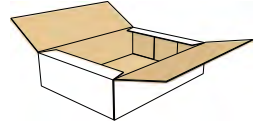
0413 M/A



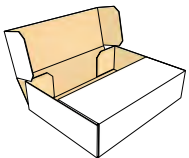
0414 M  
NEW



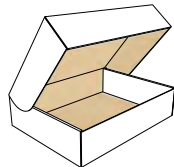
0415 M/A



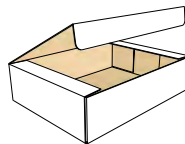
0416 M



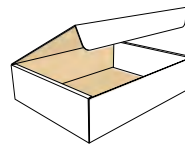
0418 M  
NEW



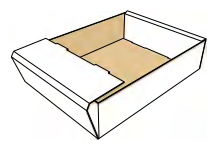
0420 M/A



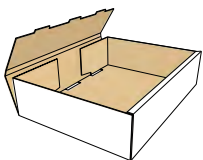
0421 M/A



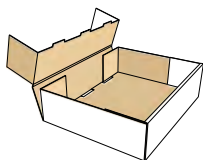
0422 M/A



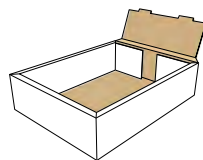
0423 M/A



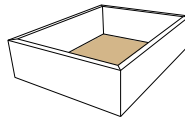
0424 M/A



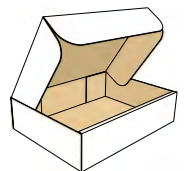
0425 M/A



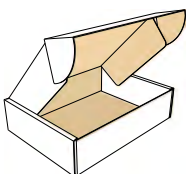
0425.1 M/A  
NEW



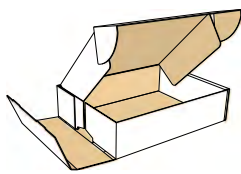
0426 M



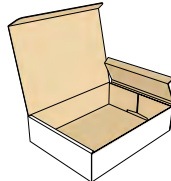
0427 M



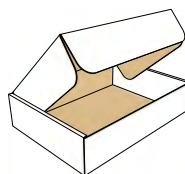
0427.1 M  
NEW



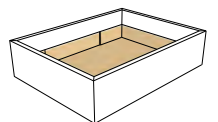
0428 M



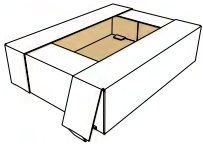
0429 M



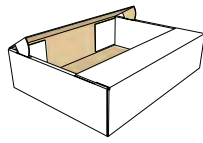
0430 M/A



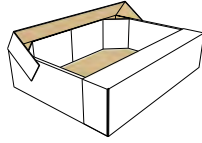
0431 M



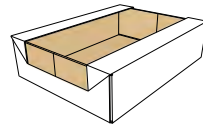
0432 M



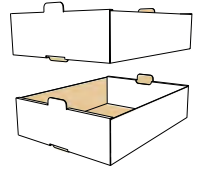
0433 M



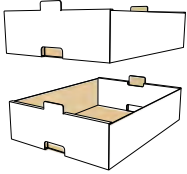
0434 A



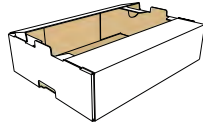
0435 M/A



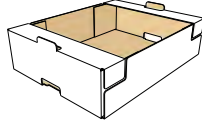
0435.1 M/A  
NEW



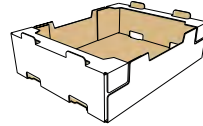
0436 M



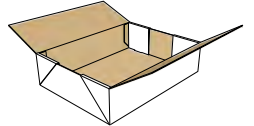
0436.1 A  
NEW



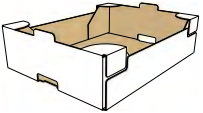
0436.2 A  
NEW



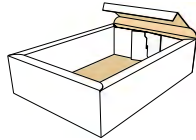
0437 M



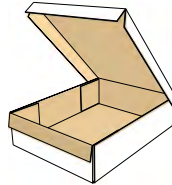
0438 A  
NEW



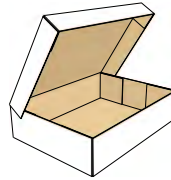
0439 M  
NEW



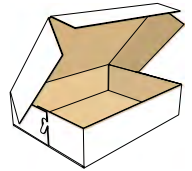
0440 A



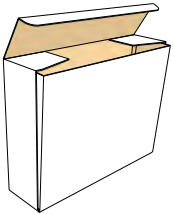
0441 A



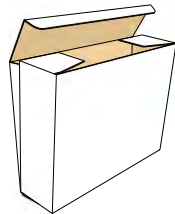
0442 M



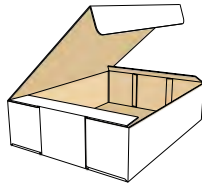
0443 M



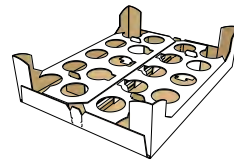
0444 M



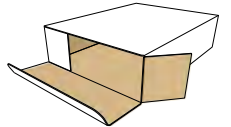
0445 M



0446 A



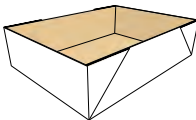
0447 M



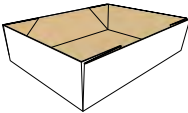
0448 M



0449 M



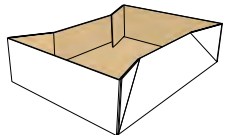
0449.1 M  
NEW



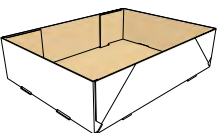
0450 M



0451 M



0451.1 M  
NEW



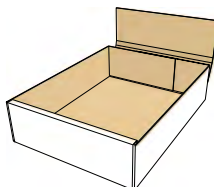
0452 A



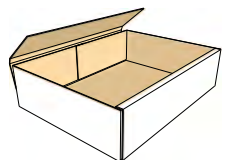
0453 A



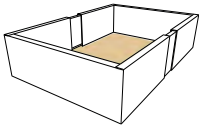
0454 M



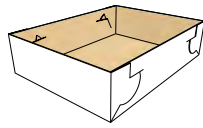
0455 M



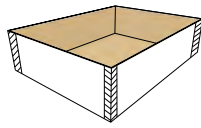
**0456 M**



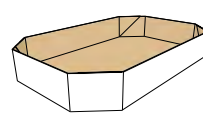
**0457 M**



**0458 M**



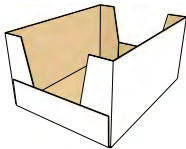
**0459 A**



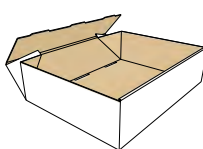
**0459.1 A**  
NEW



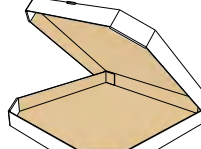
**0460 A**



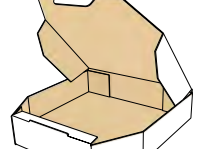
**0461 M/A**  
NEW



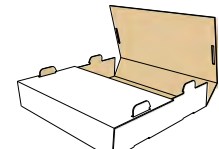
**0462 M**  
NEW



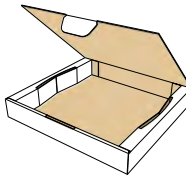
**0463 M**  
NEW



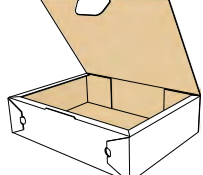
**0464 M**  
NEW



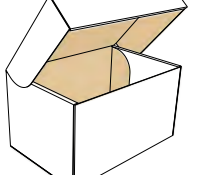
**0465 M**  
NEW



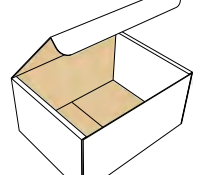
**0466 M**  
NEW



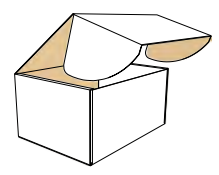
**0469 M**  
NEW



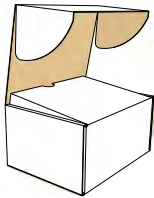
**0470 M**



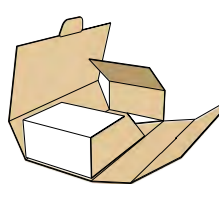
**0471 M**



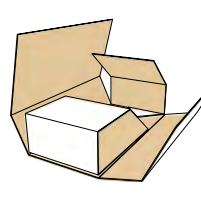
**0472 M**



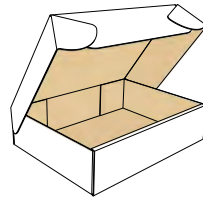
**0473 M**



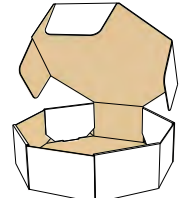
**0474 M**  
NEW



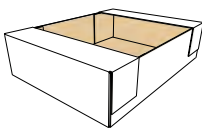
**0475 M**  
NEW



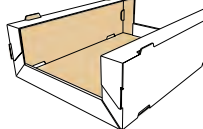
**0476 M**  
NEW



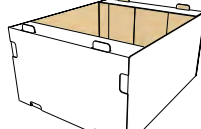
**0480 A**



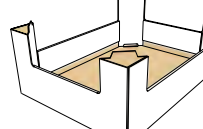
**0481 M**  
NEW



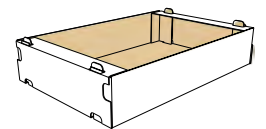
**0482 M**  
NEW



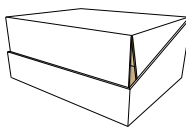
**0483 A**  
NEW



**0484 M**  
NEW

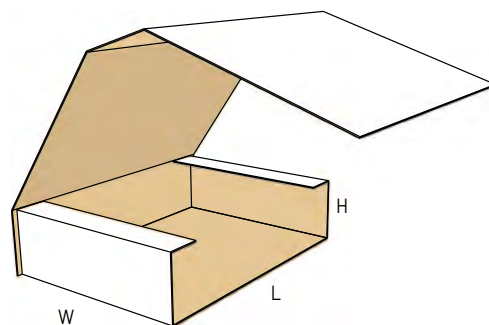
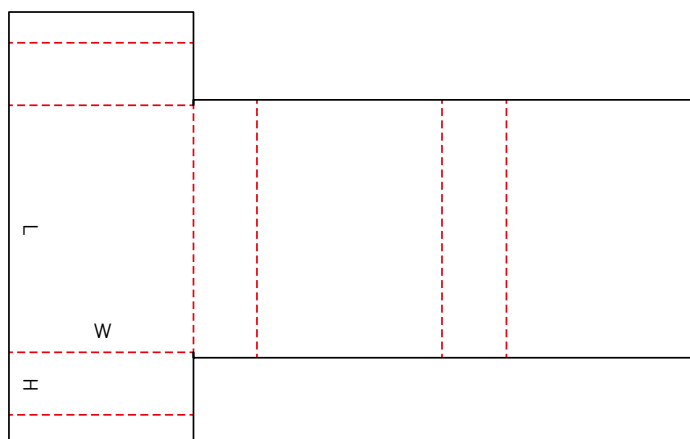


**0485 M**  
NEW

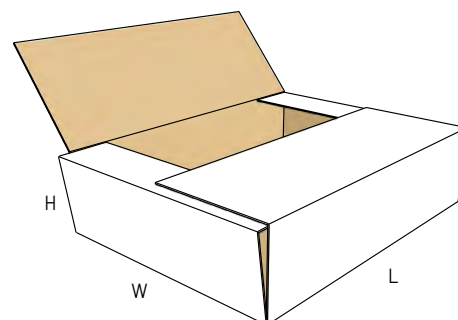
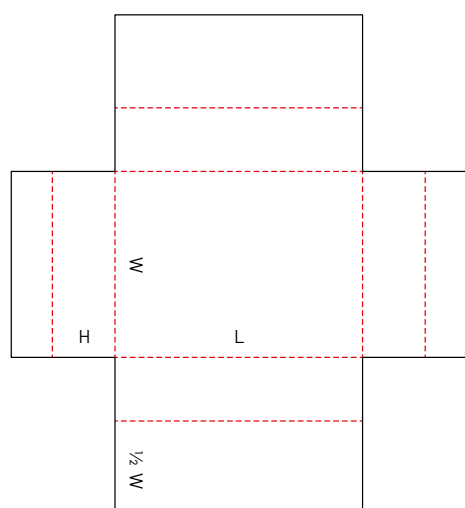




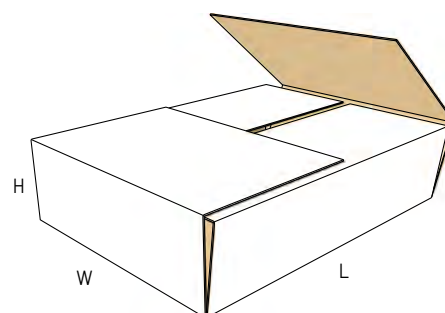
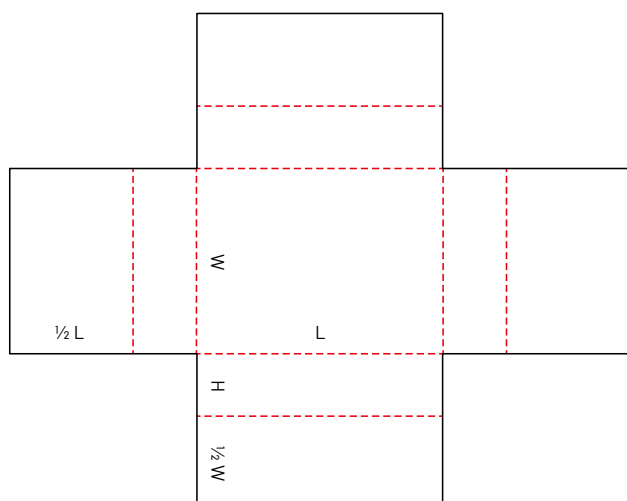
## 0400 M



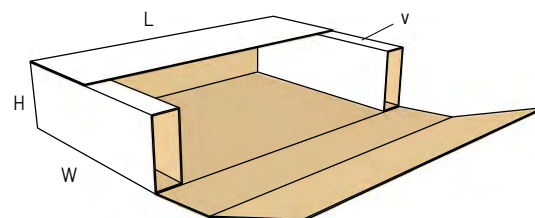
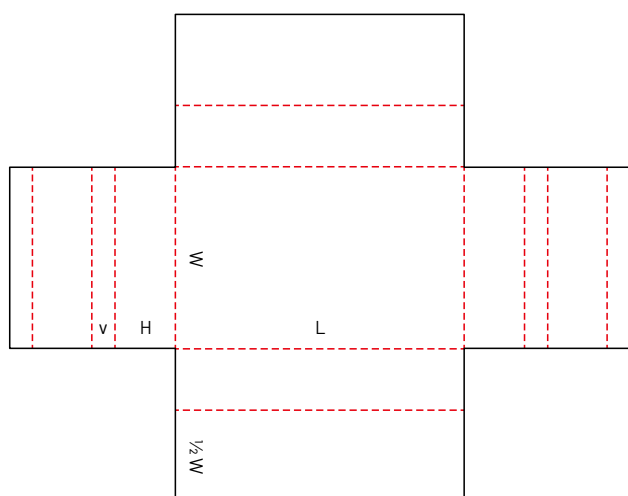
## 0401 M



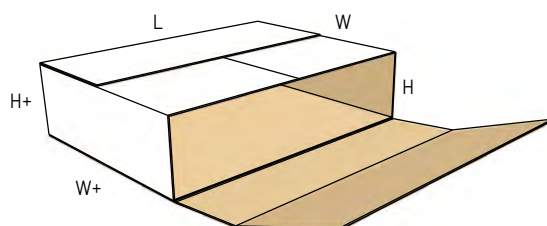
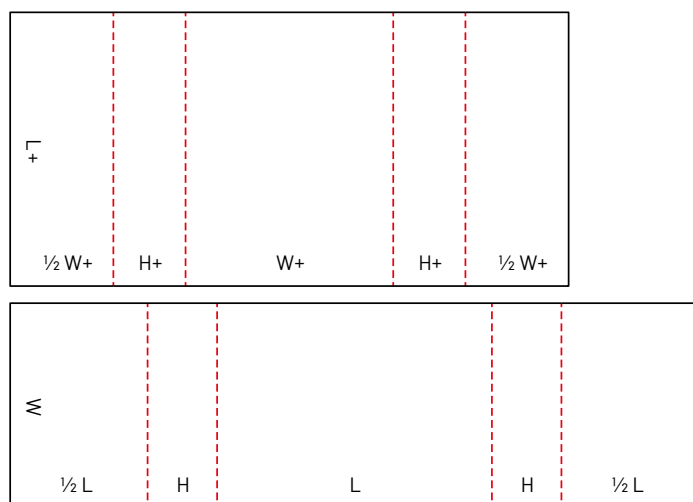
## 0402 M



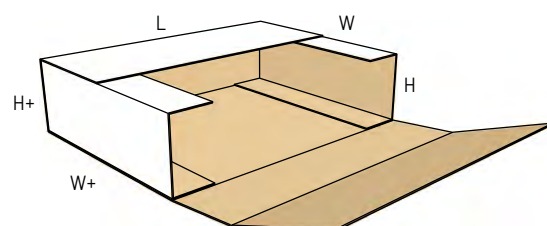
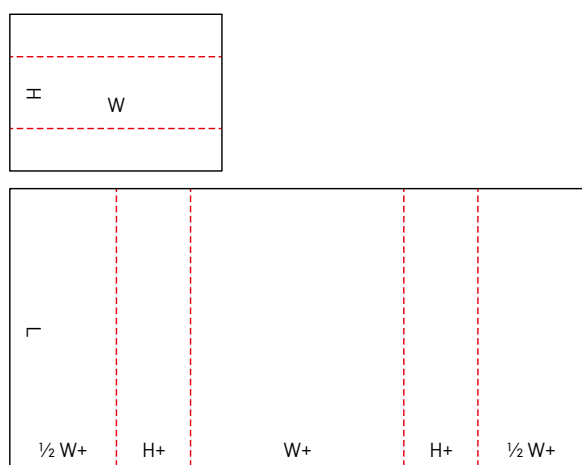
## 0403 M

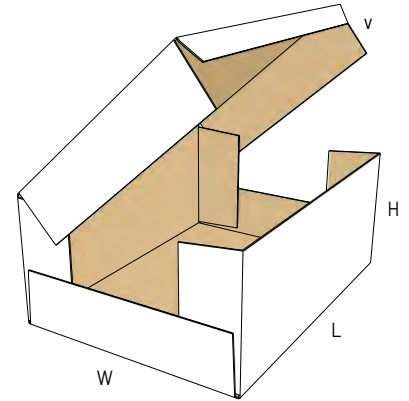
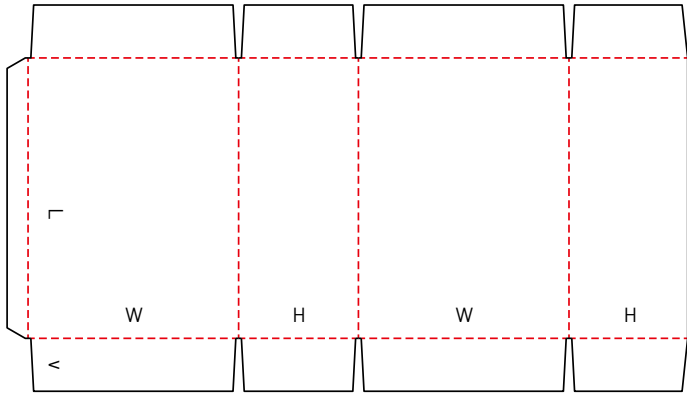
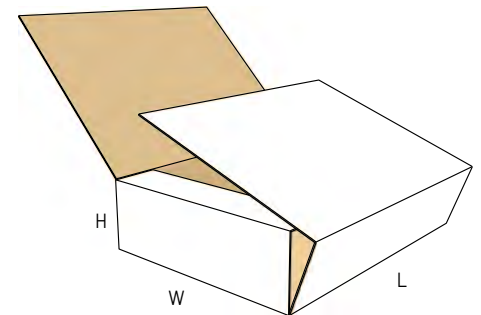
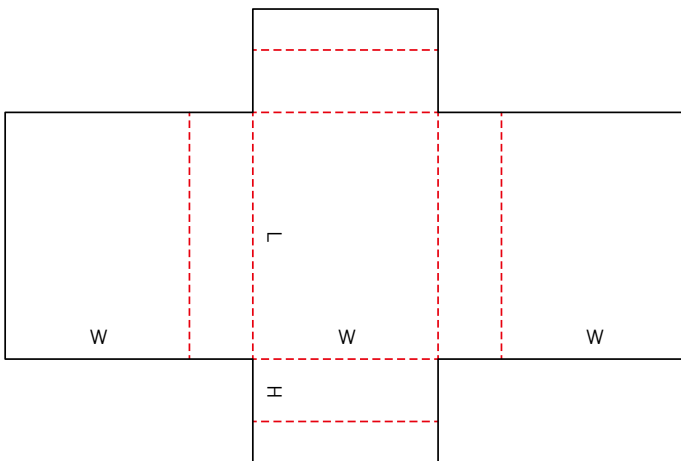
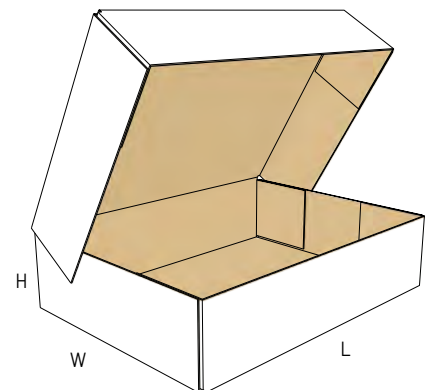
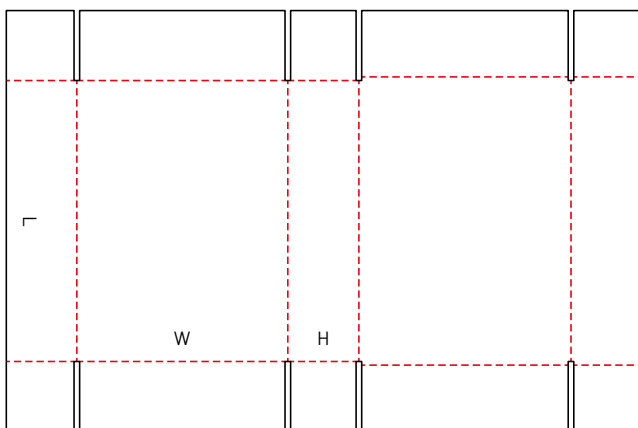


## 0404 M

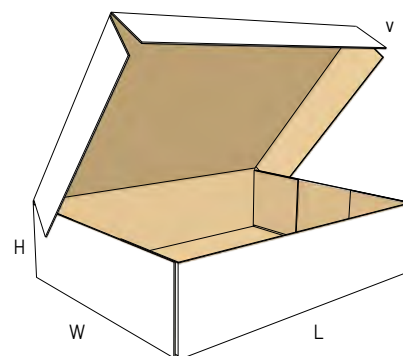
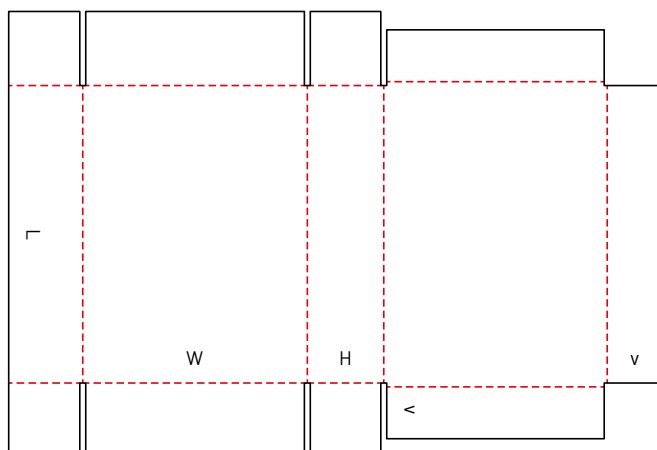


## 0405 M

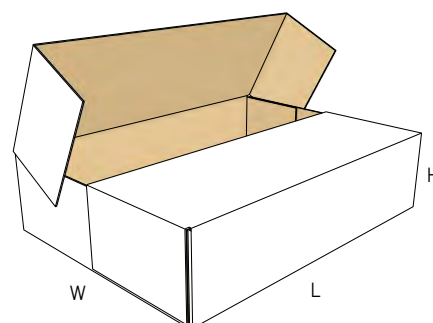
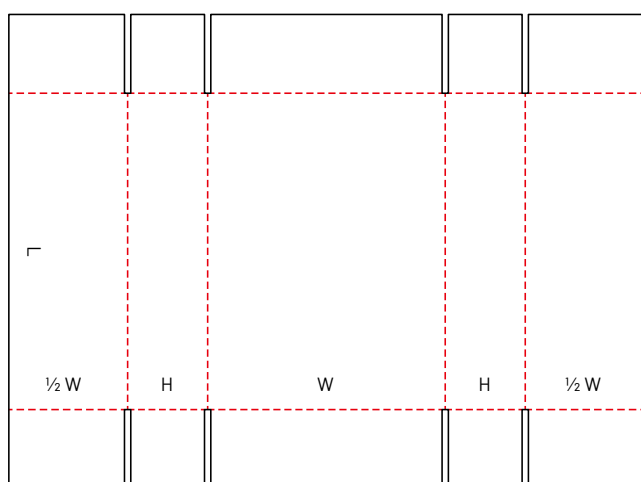


0406 **A**0407 **M****NEW**0409 **M/A**

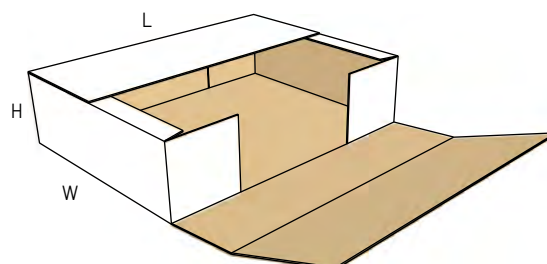
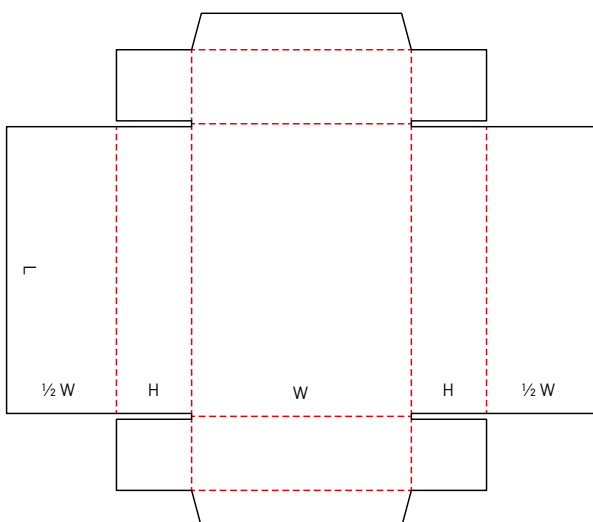
## 0410 M/A



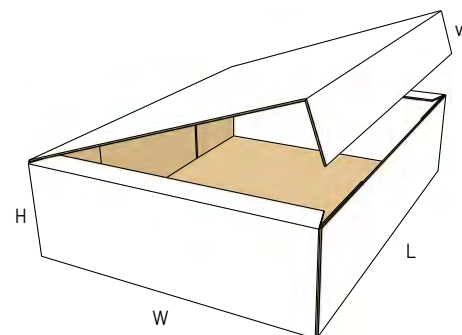
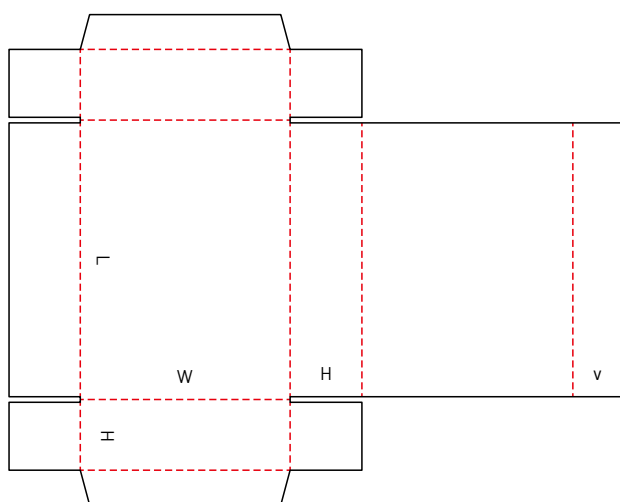
## 0411 M/A



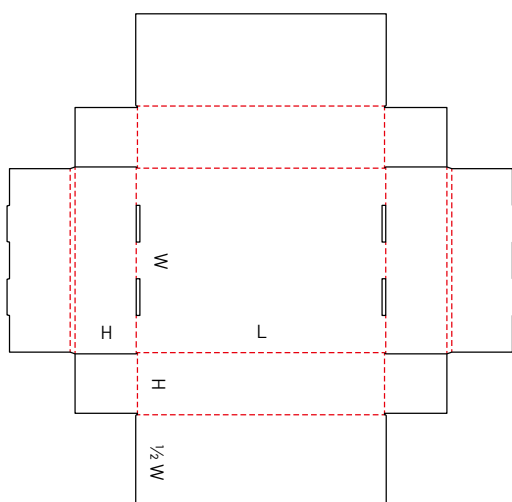
## 0412 M



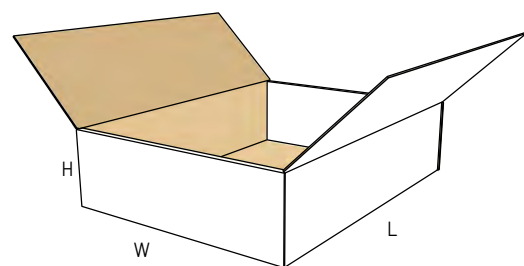
## 0413 M/A



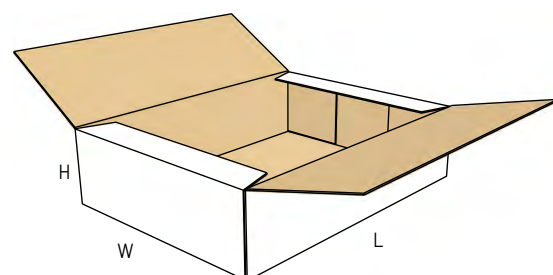
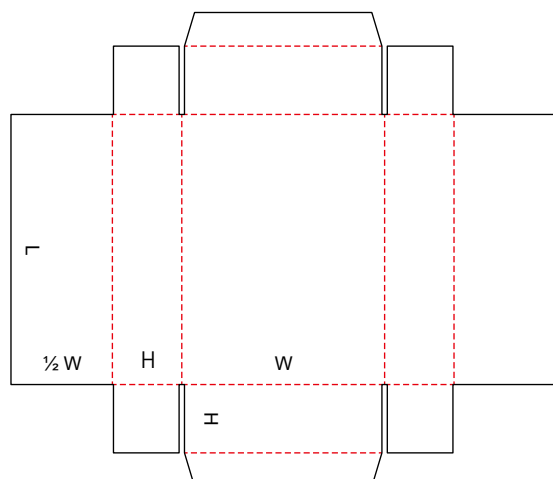
## 0414 M



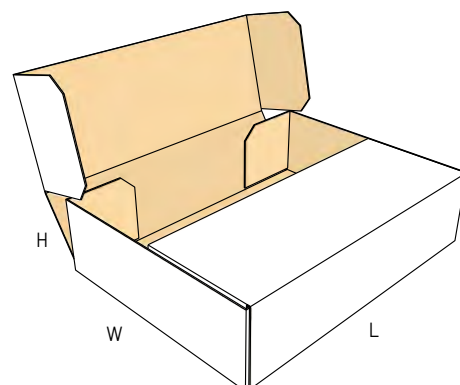
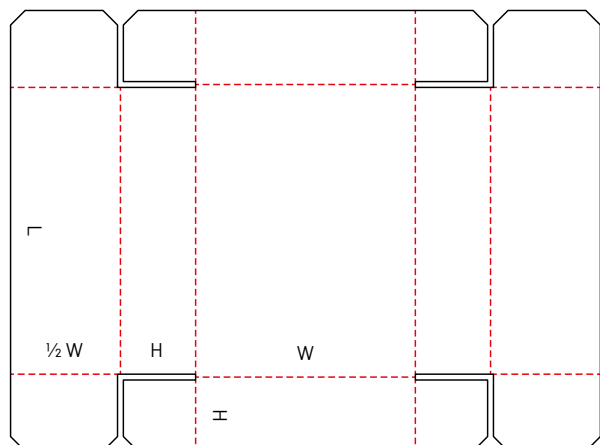
NEW



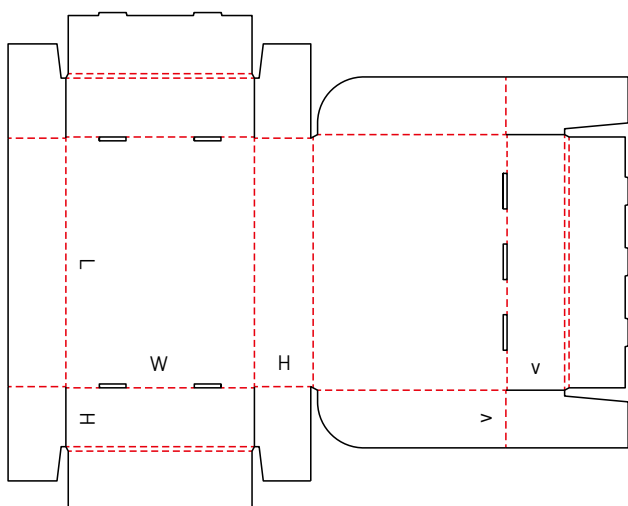
## 0415 M/A



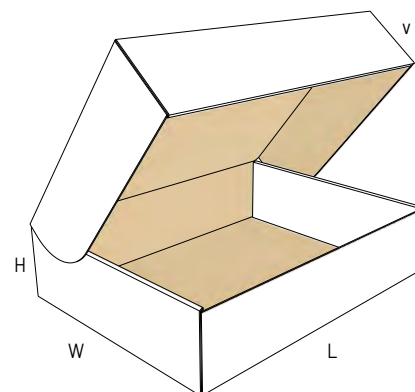
## 0416 M



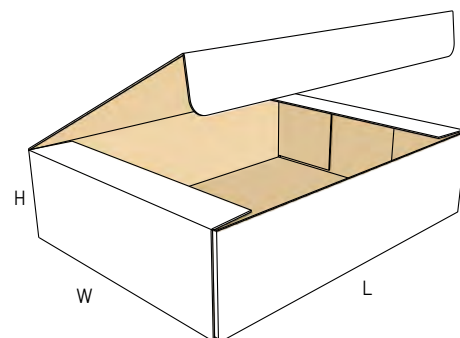
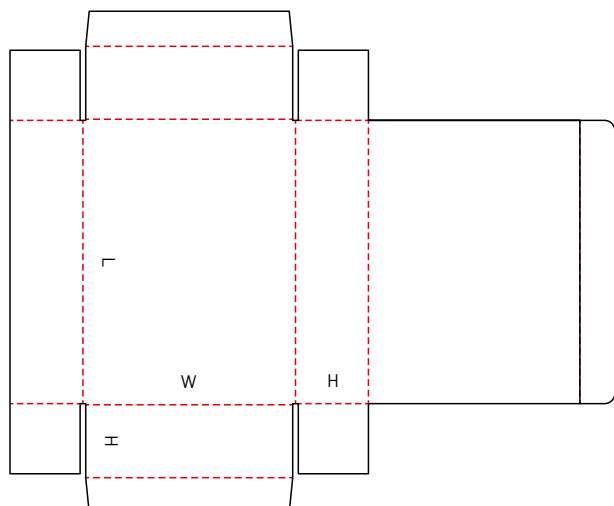
## 0418 M



NEW

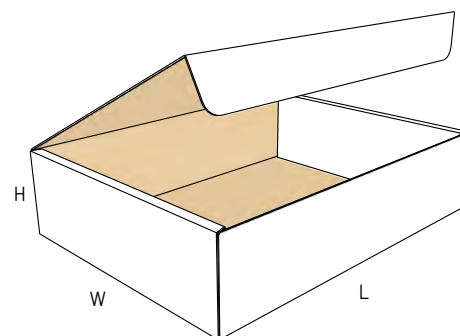
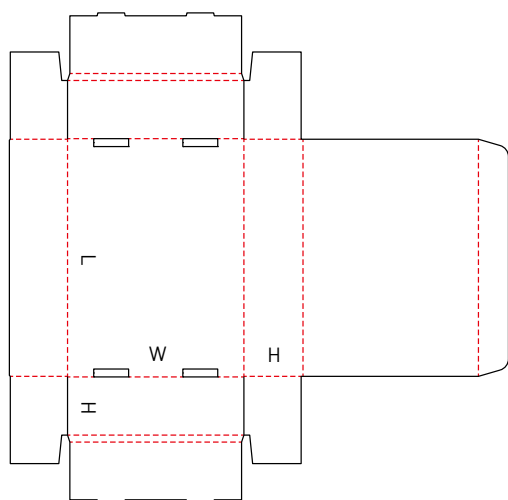


## 0420 M/A

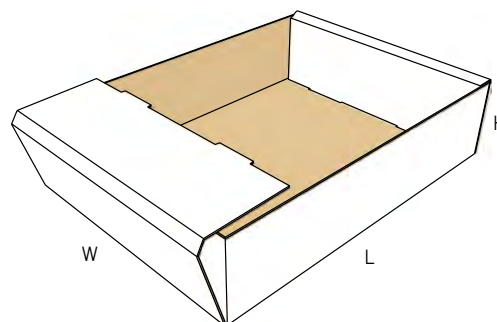
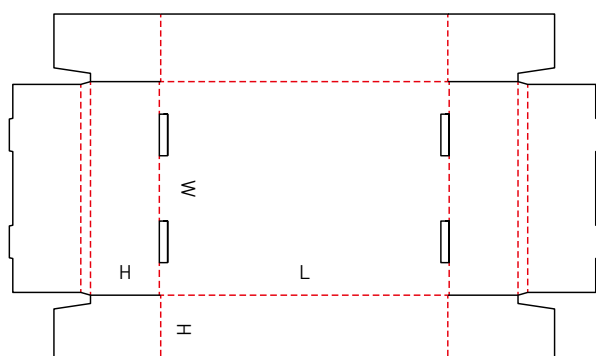




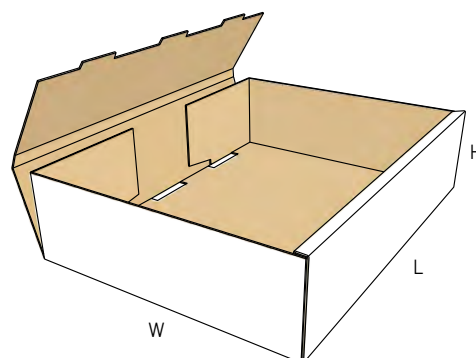
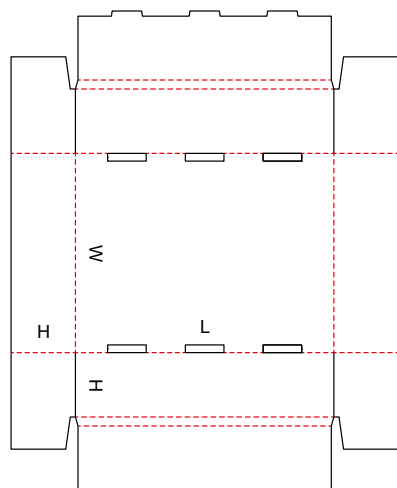
## 0421 M/A



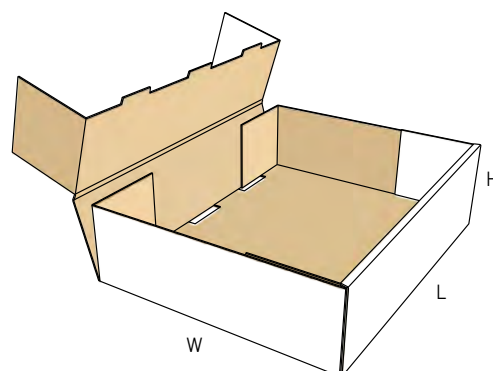
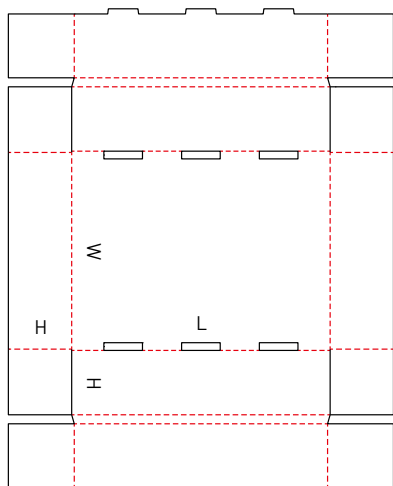
## 0422 M/A



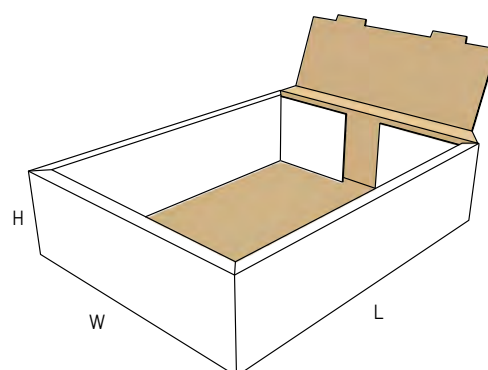
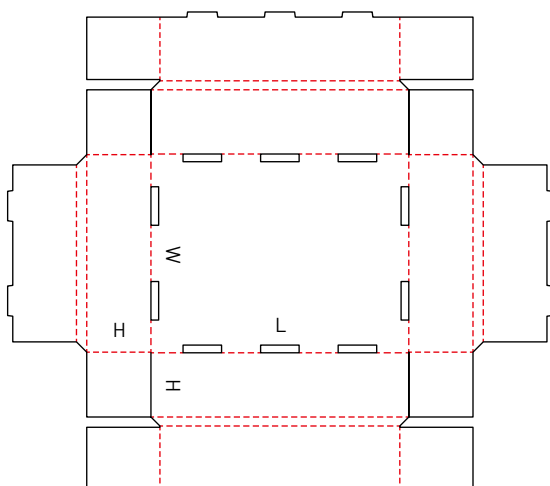
## 0423 M/A



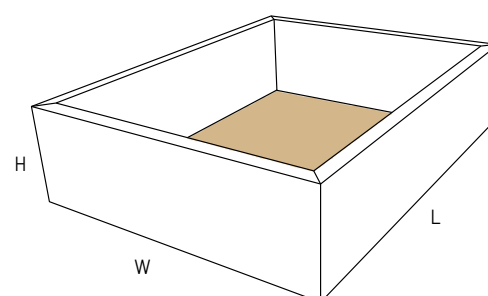
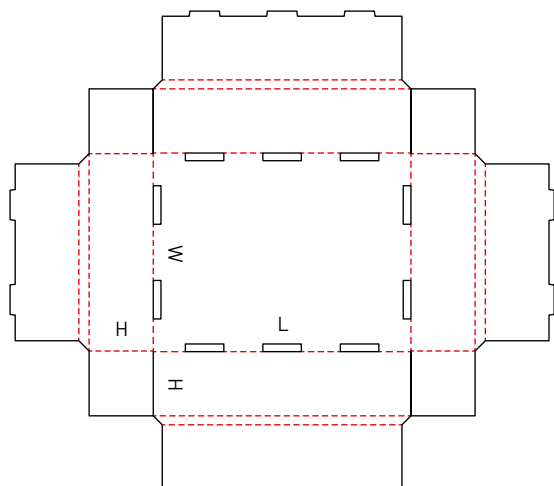
## 0424 M/A



## 0425 M/A

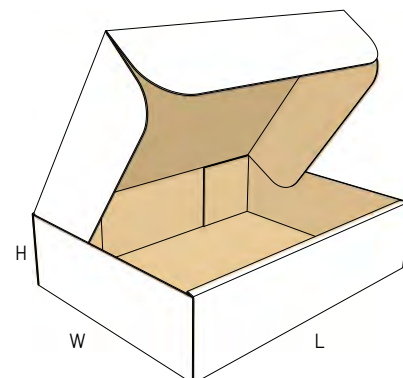
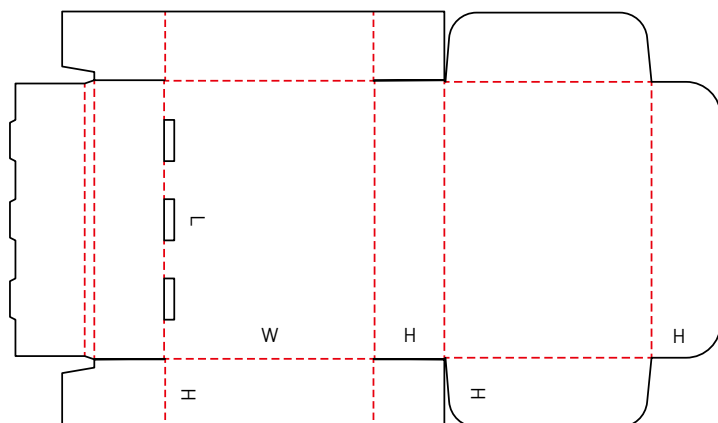


## 0425.1 M/A

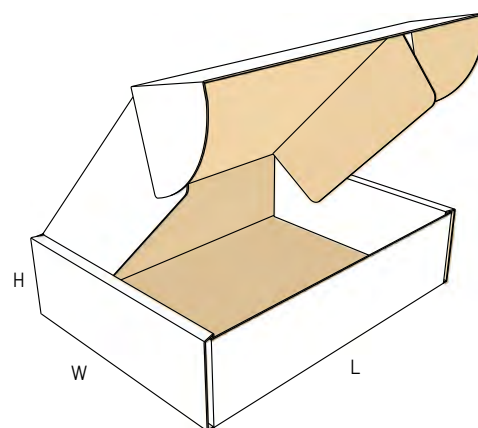
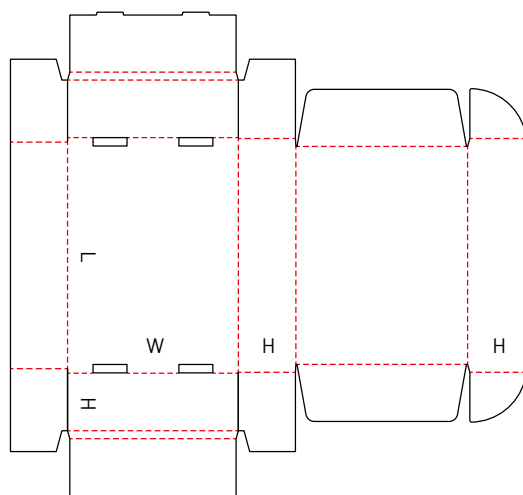


NEW

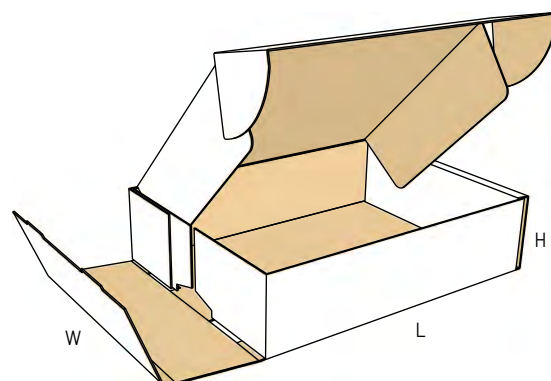
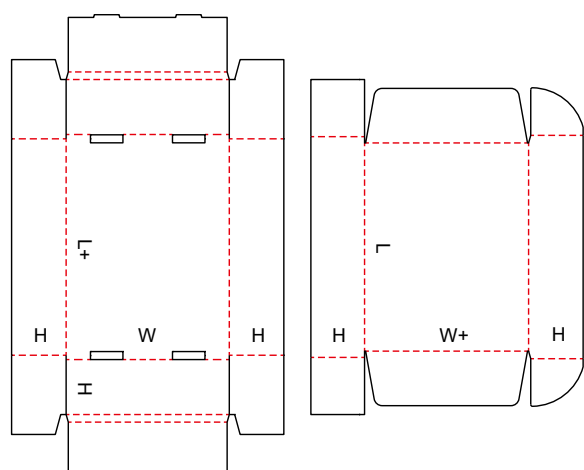
## 0426 M



## 0427 M

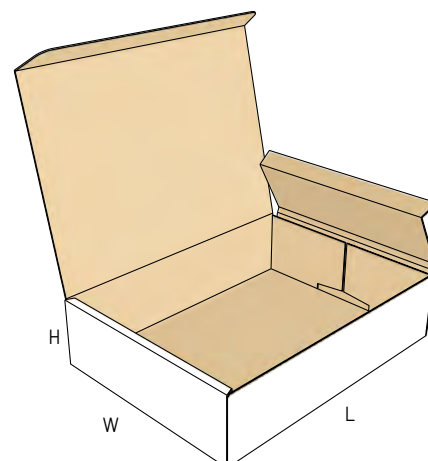
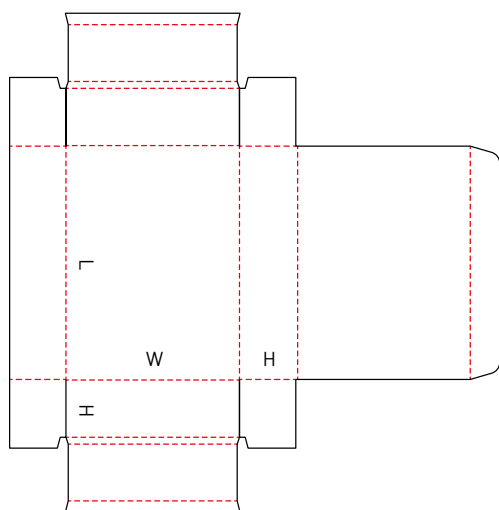


## 0427.1 M

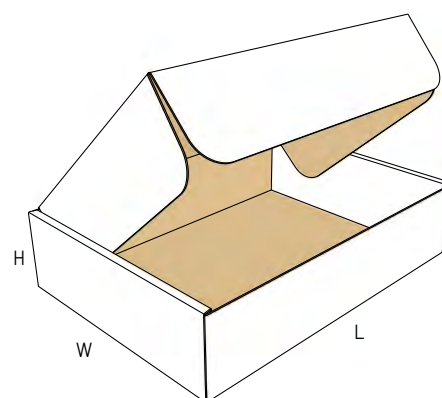
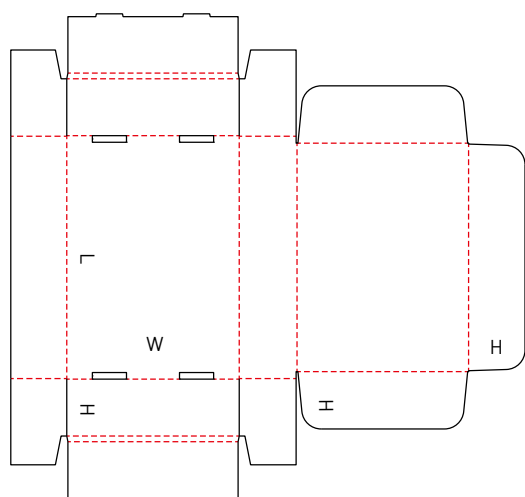


NEW

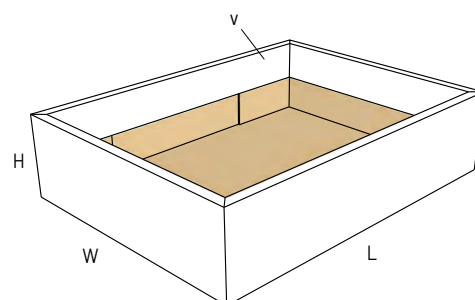
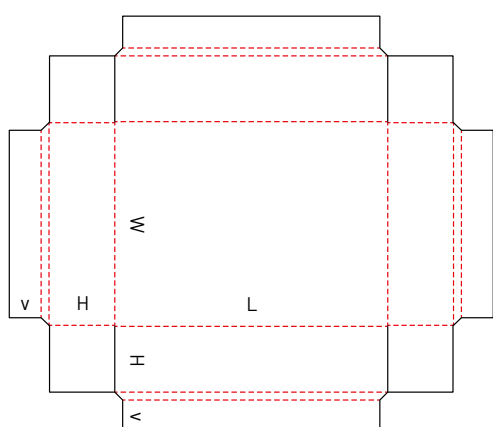
## 0428 M



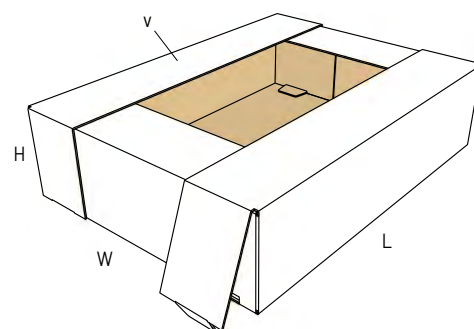
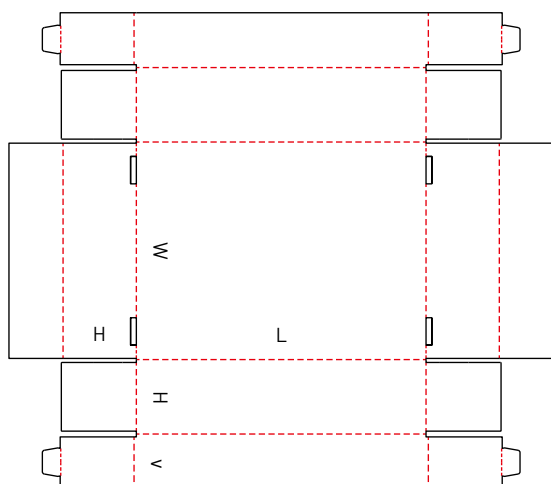
## 0429 M



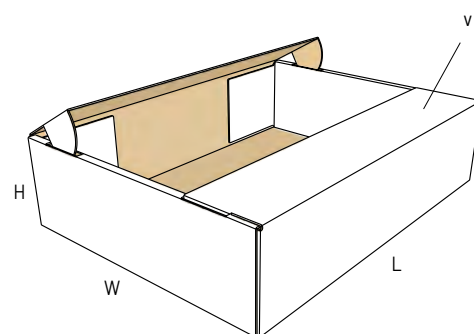
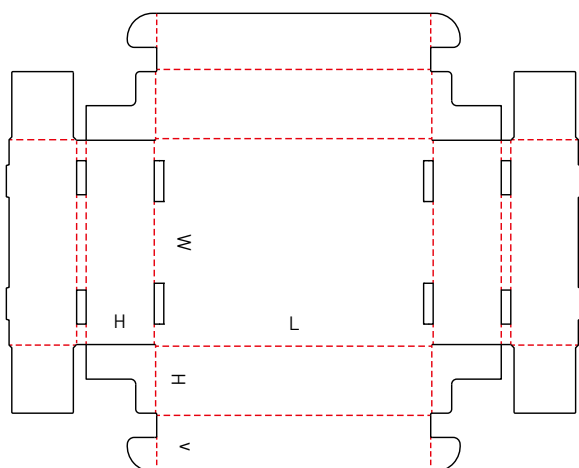
## 0430 M/A



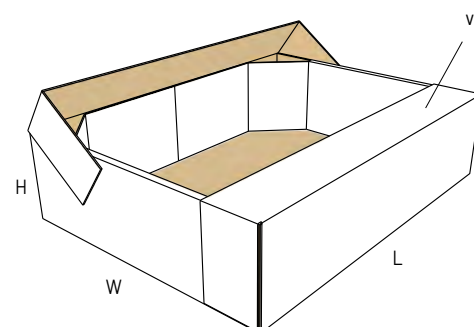
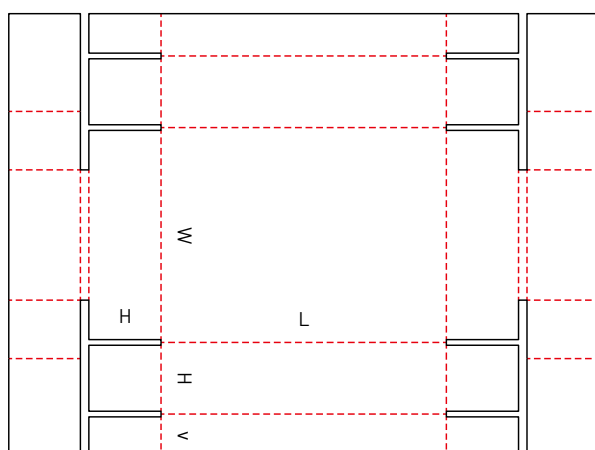
## 0431 M



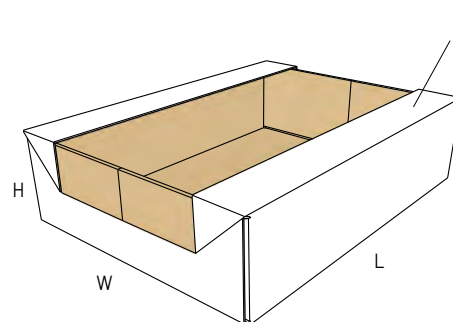
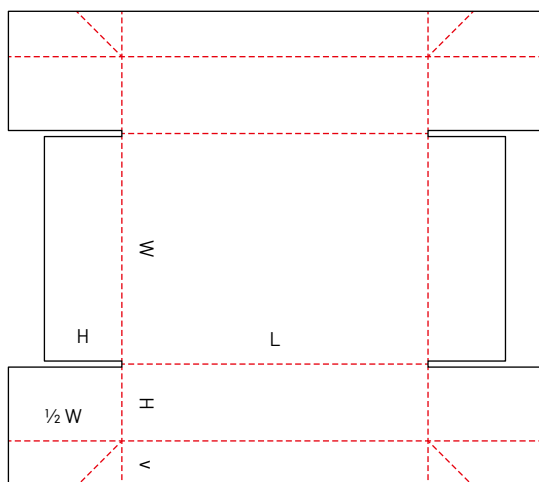
## 0432 M



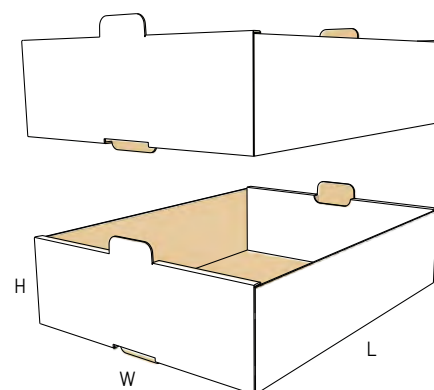
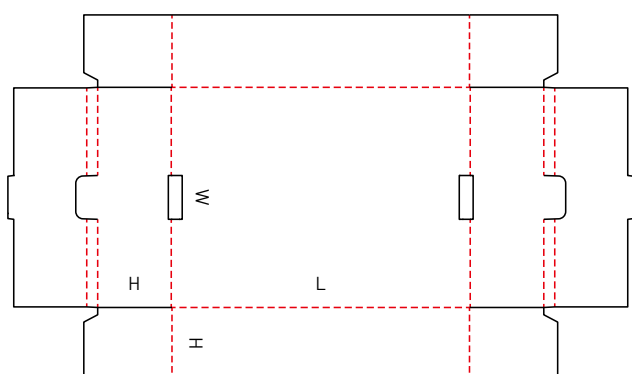
## 0433 M



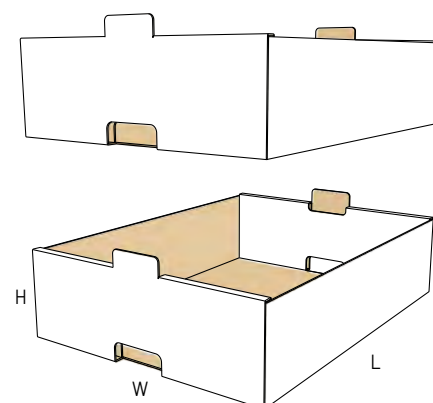
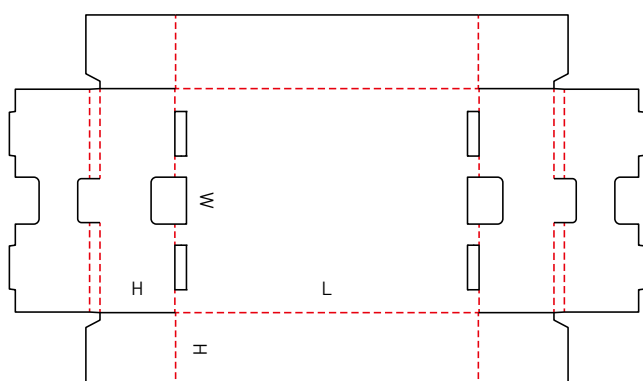
## 0434 A



## 0435 M/A

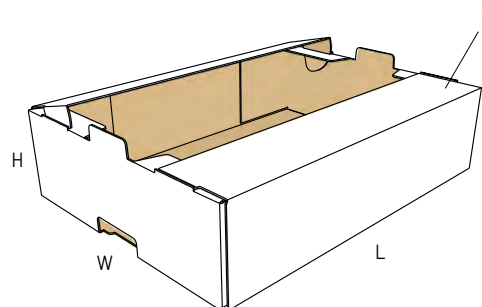
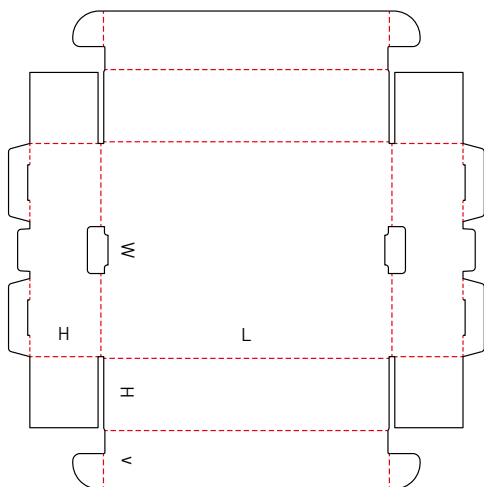


## 0435.1 M/A



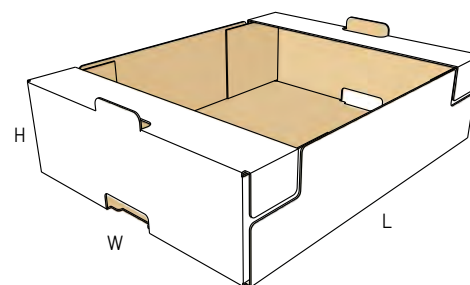
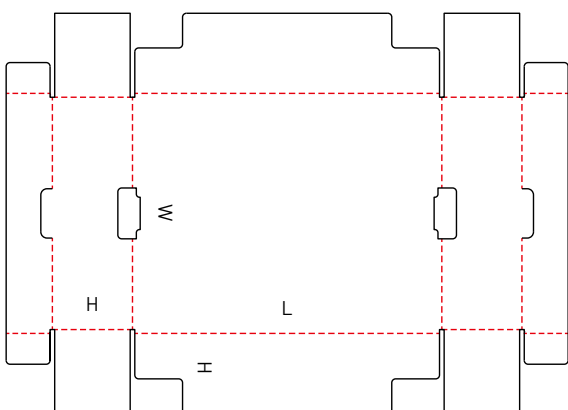


# 0436 M



Tabs and slots should conform with the FEFCO Common Footprint Quality (CFQ) Standard. The CFQ requirements and the stamp can be downloaded from FEFCO website.

# 0436.1 A

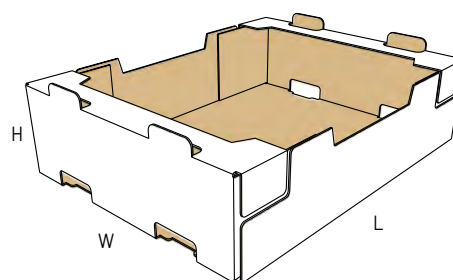
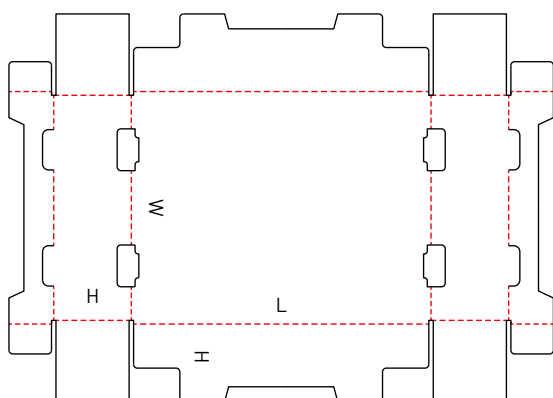


**NEW**

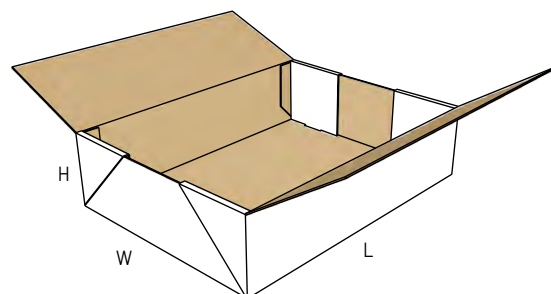
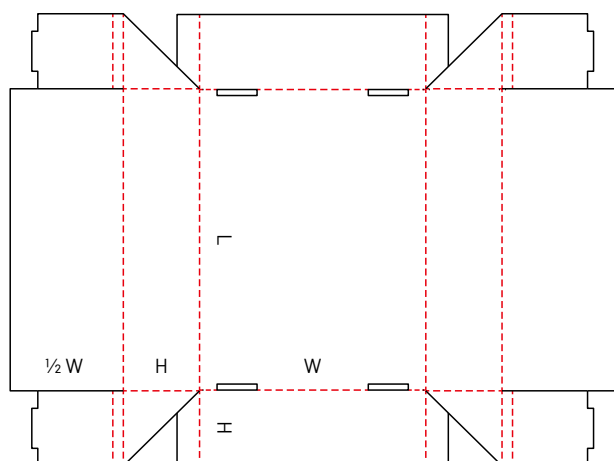
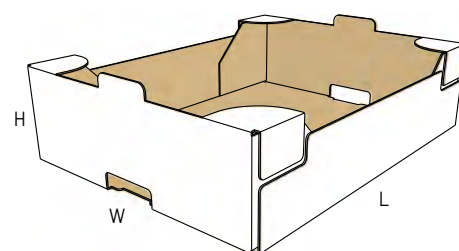
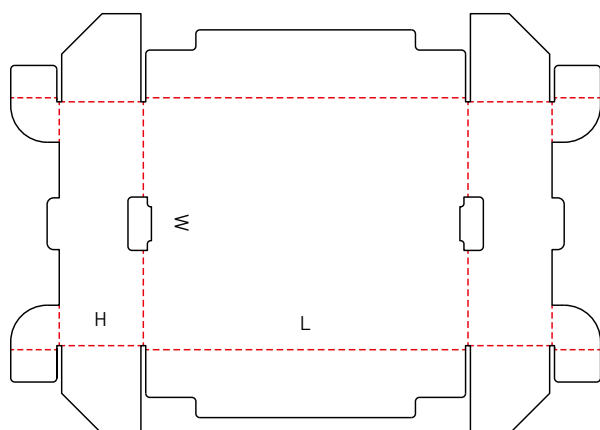
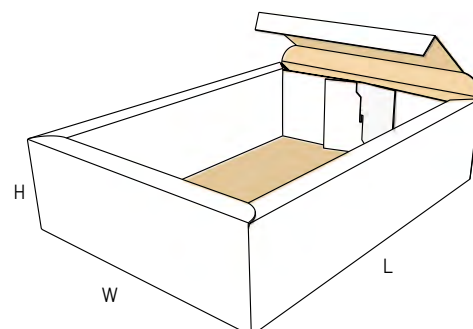
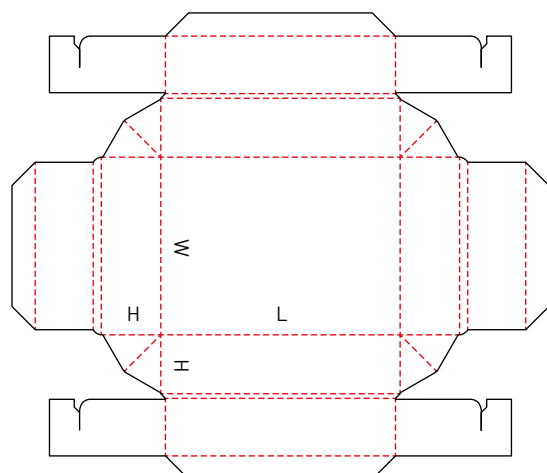


Tabs and slots should conform with the FEFCO Common Footprint Quality (CFQ) Standard. The CFQ requirements and the stamp can be downloaded from FEFCO website.

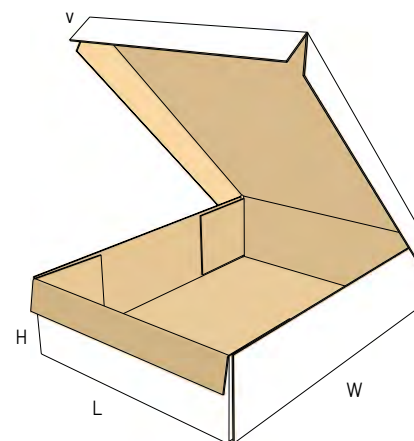
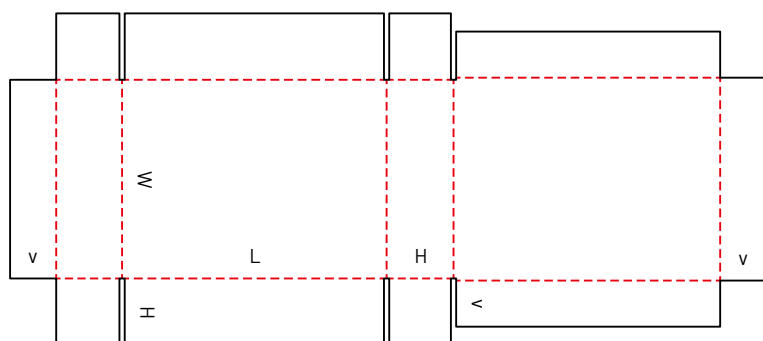
# 0436.2 A



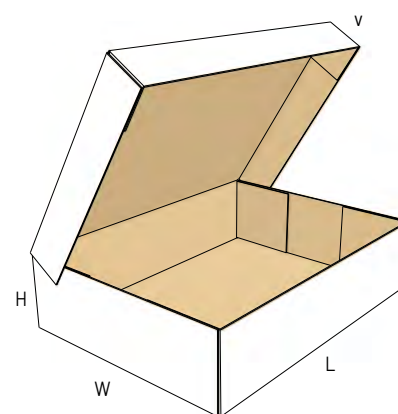
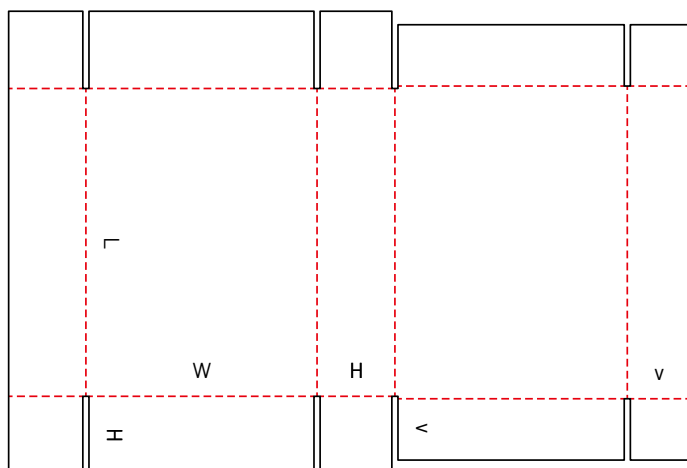
**NEW**

0437 **M**0438 **A****NEW**0439 **M****NEW**

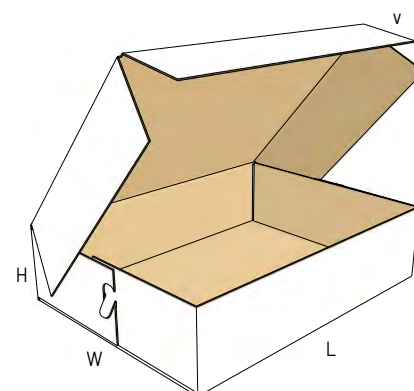
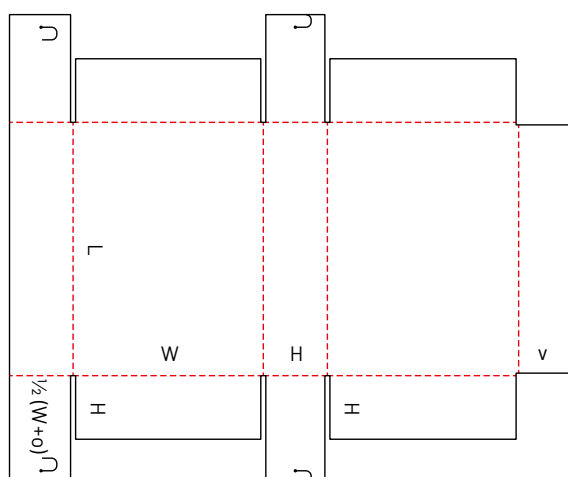
## 0440 A



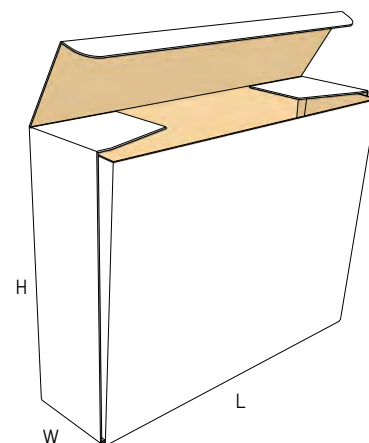
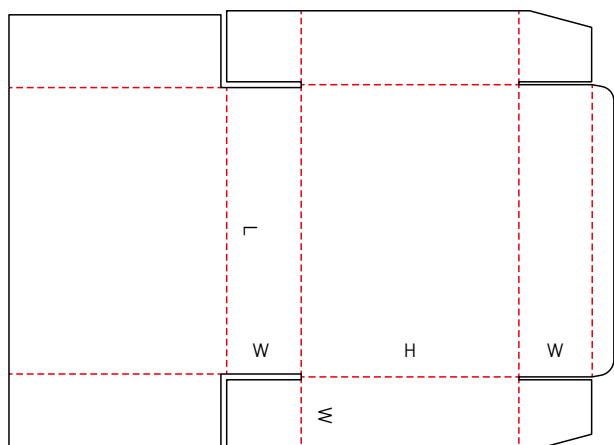
## 0441 A



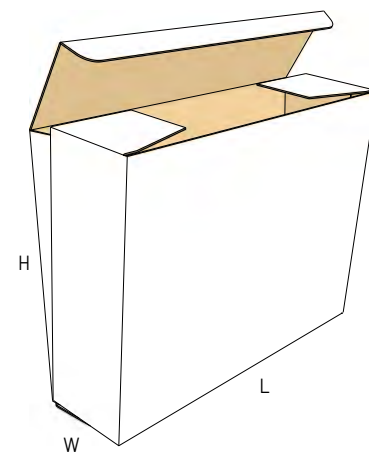
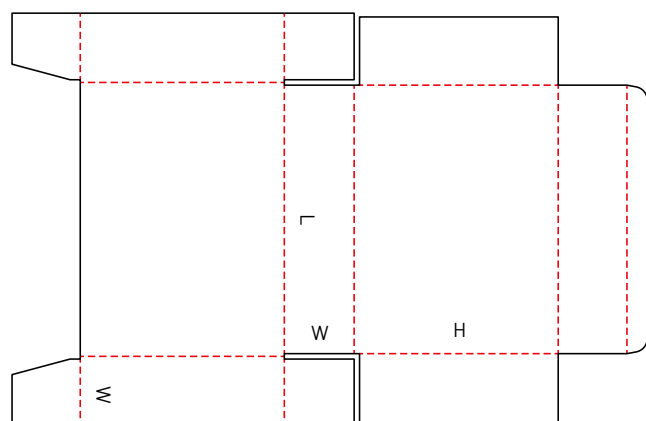
## 0442 M



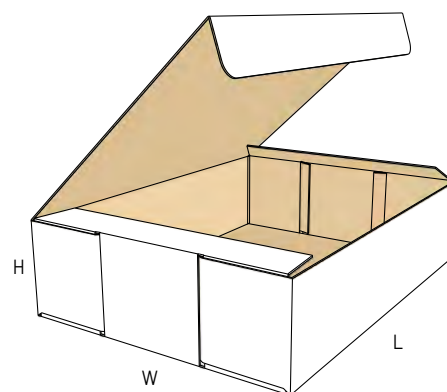
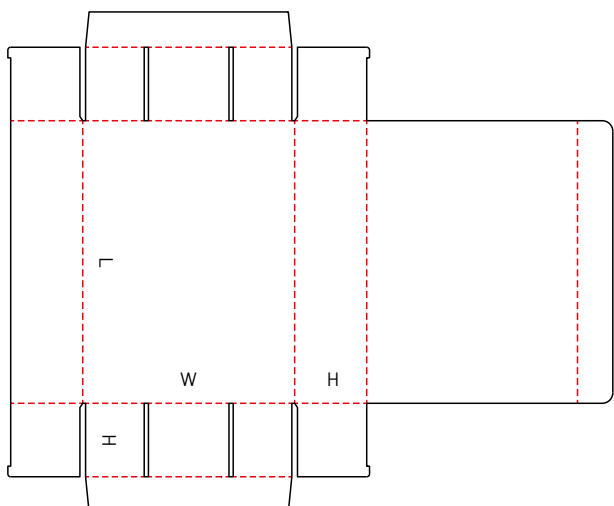
## 0443 M



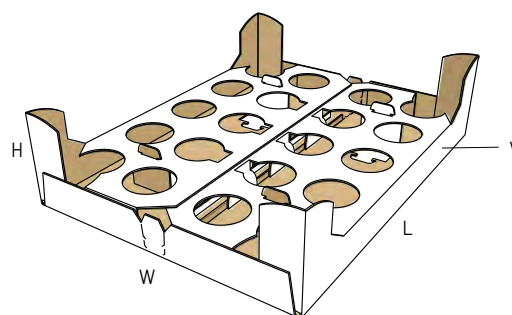
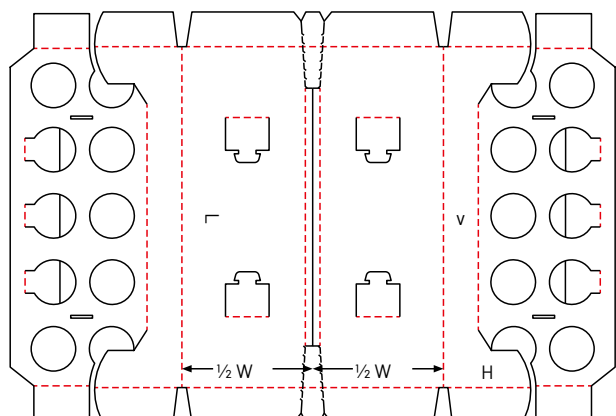
## 0444 M



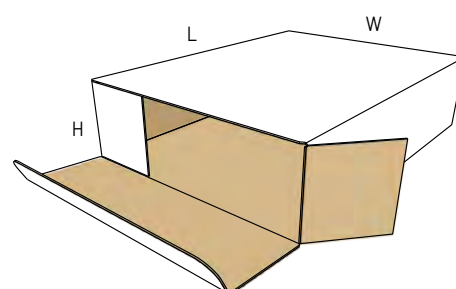
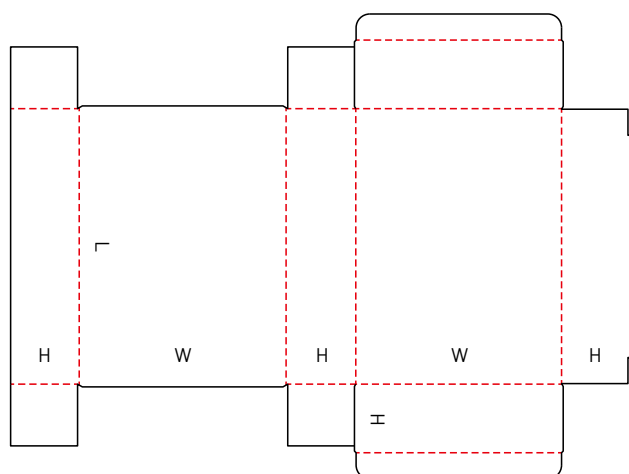
## 0445 M



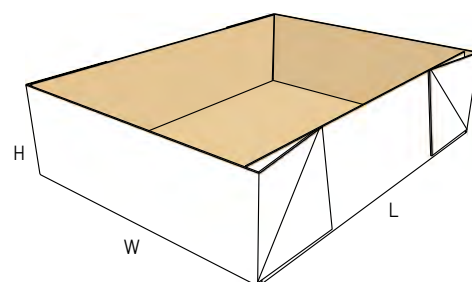
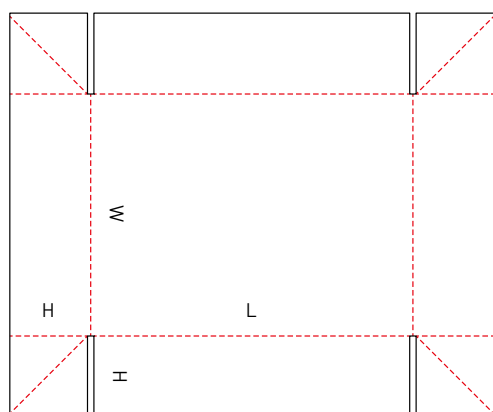
## 0446 A



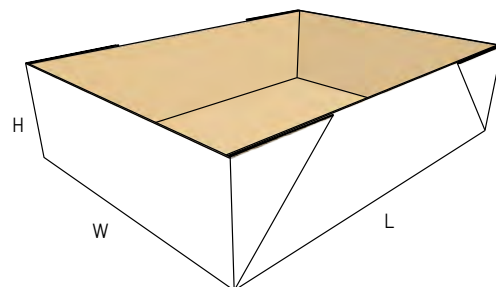
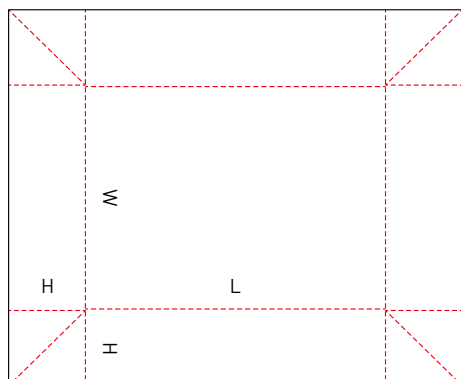
## 0447 M



## 0448 M

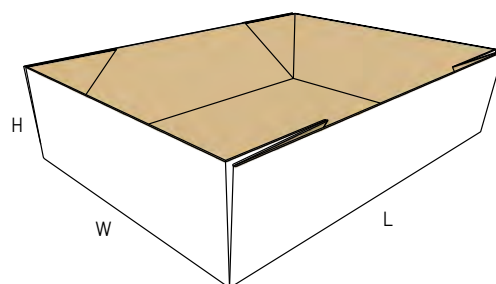
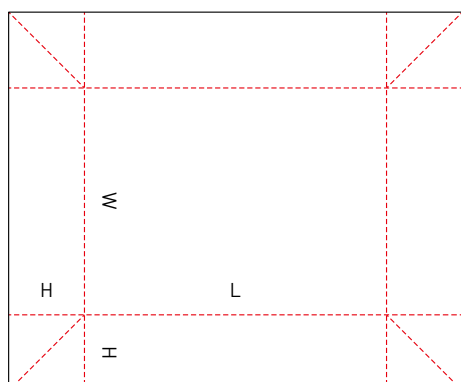


## 0449 M

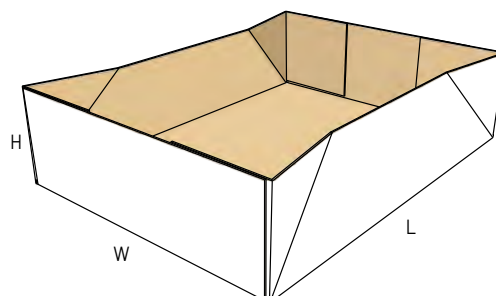
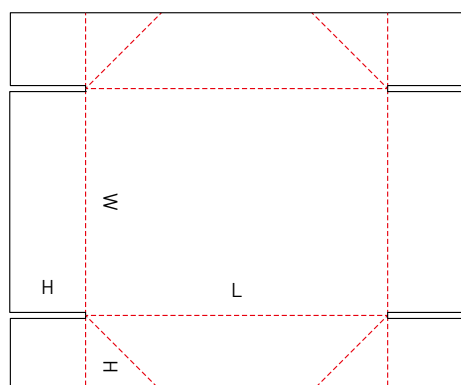


## 0449.1 M

NEW

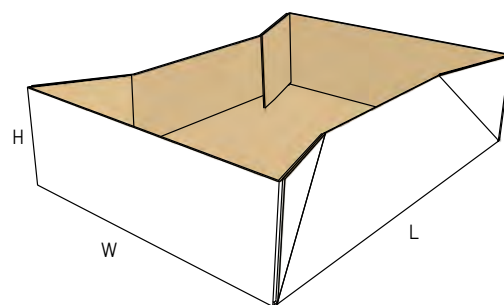
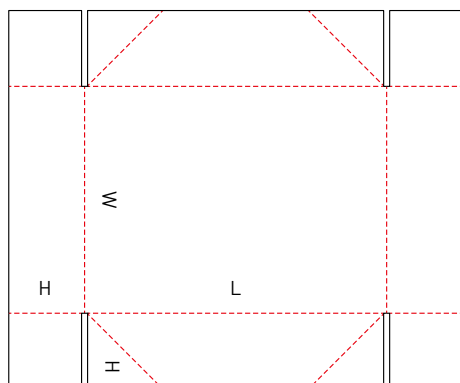


## 0450 M



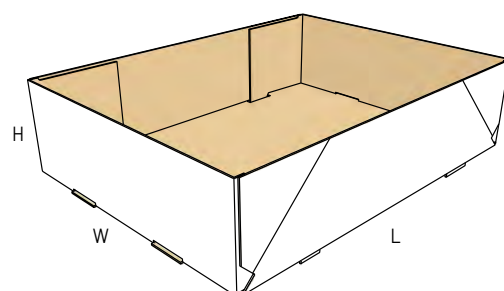
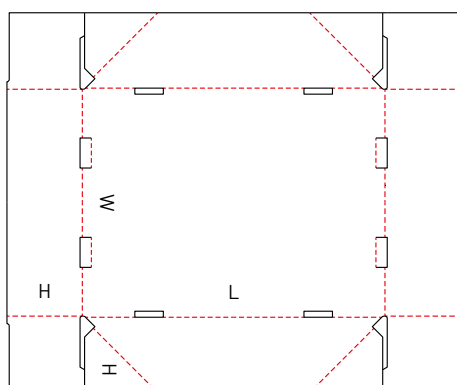


## 0451 M

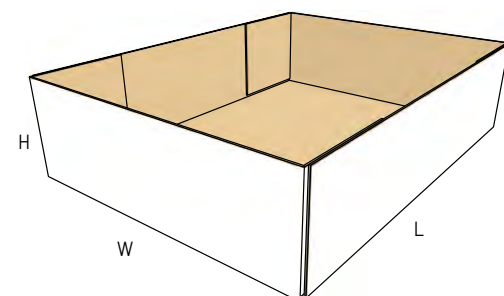
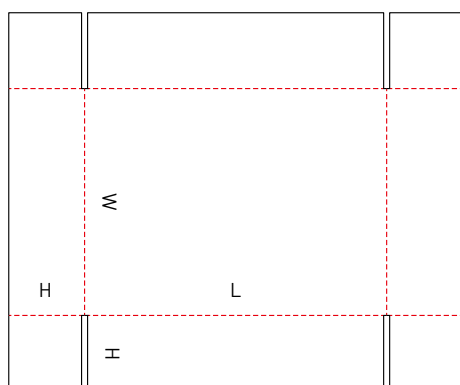


## 0451.1 M

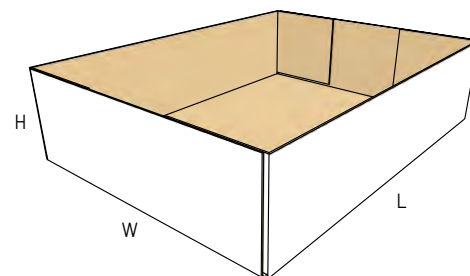
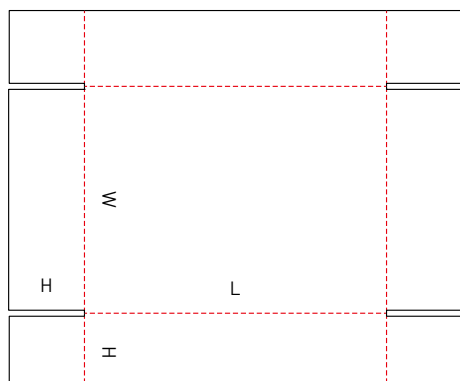
NEW



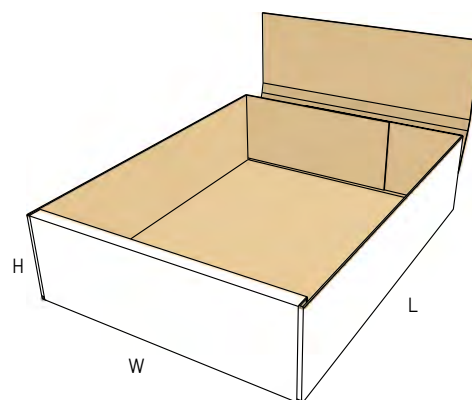
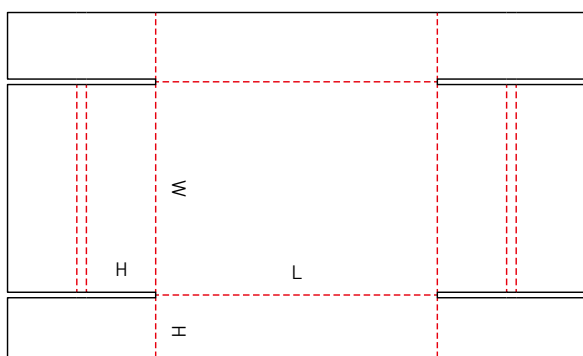
## 0452 A



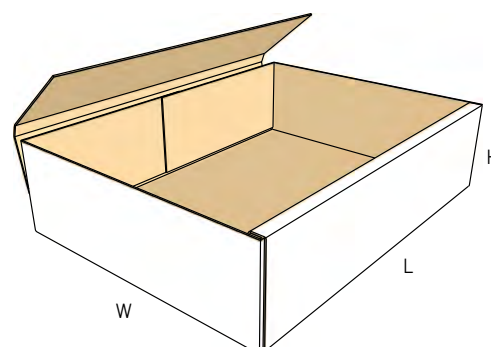
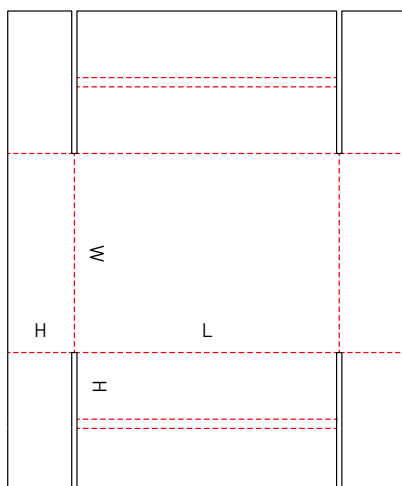
## 0453 A



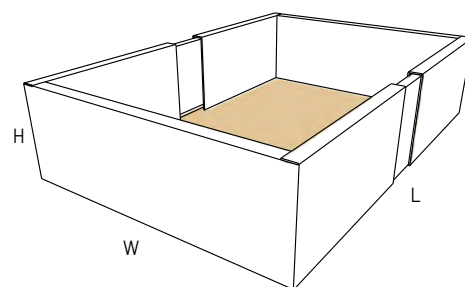
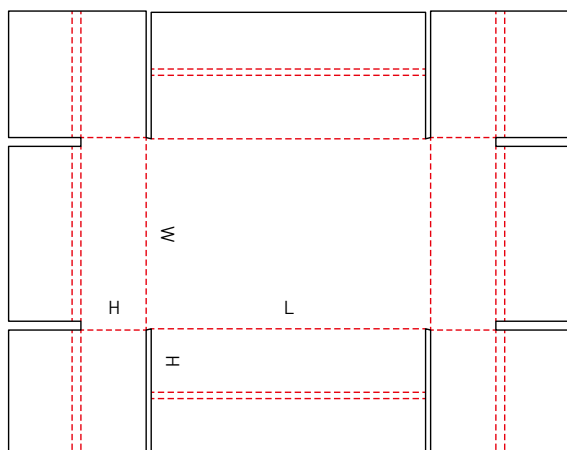
## 0454 M



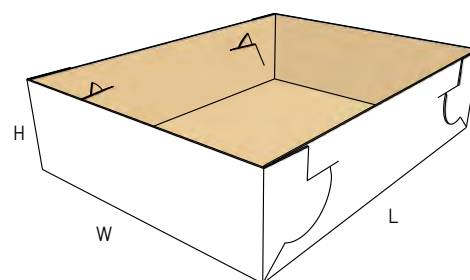
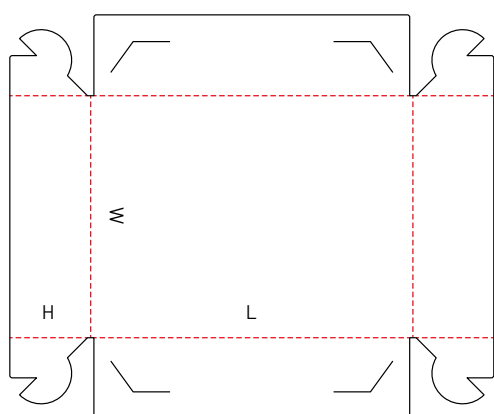
## 0455 M



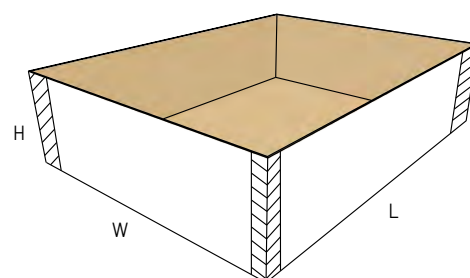
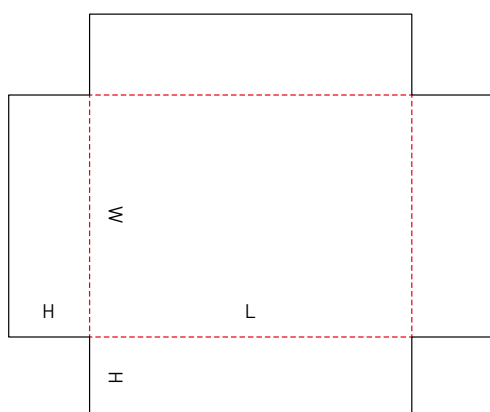
## 0456 M



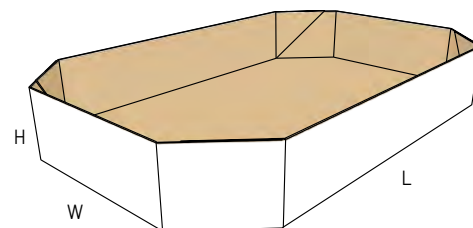
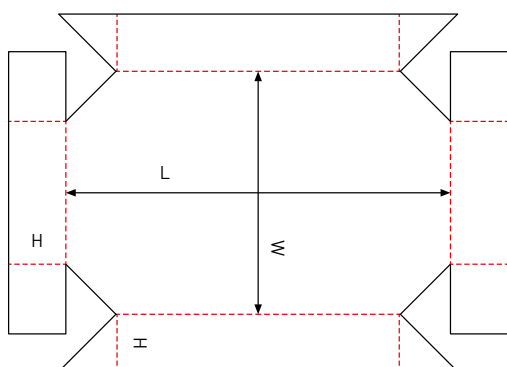
## 0457 M



## 0458 M

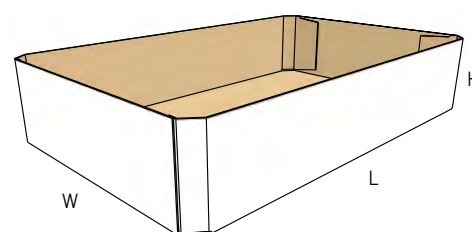
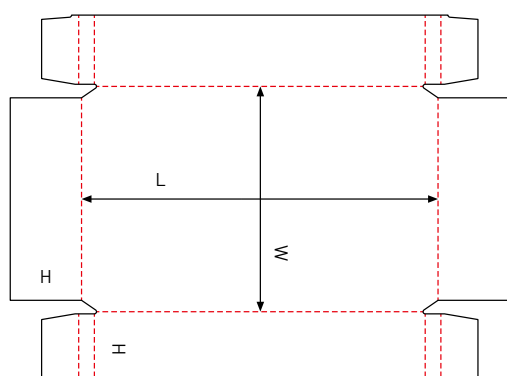


## 0459 A

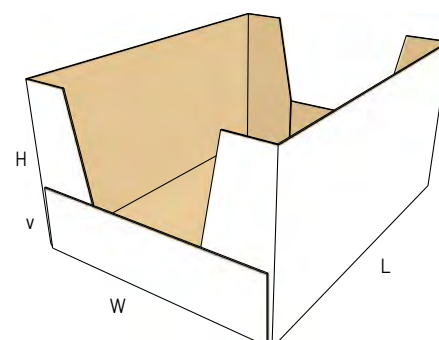
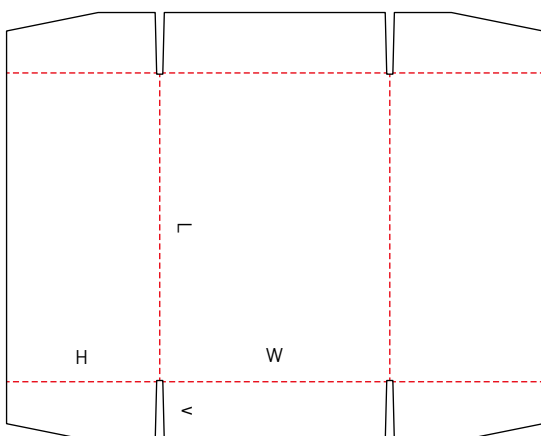


## 0459.1 A

NEW

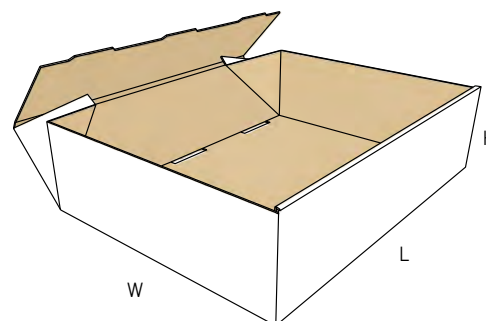
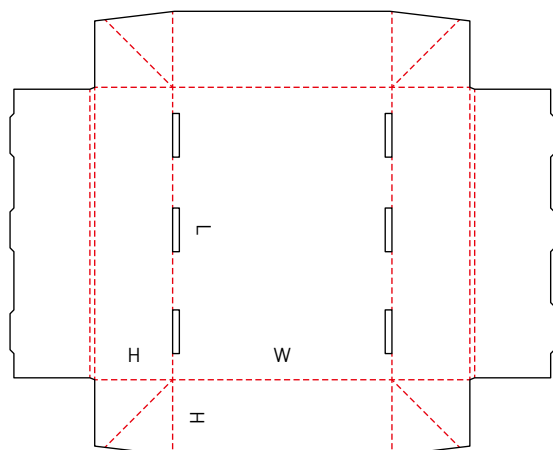


## 0460 A



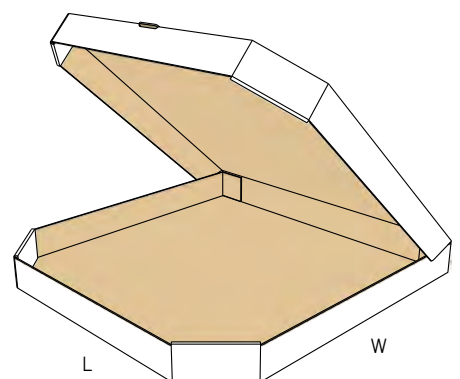
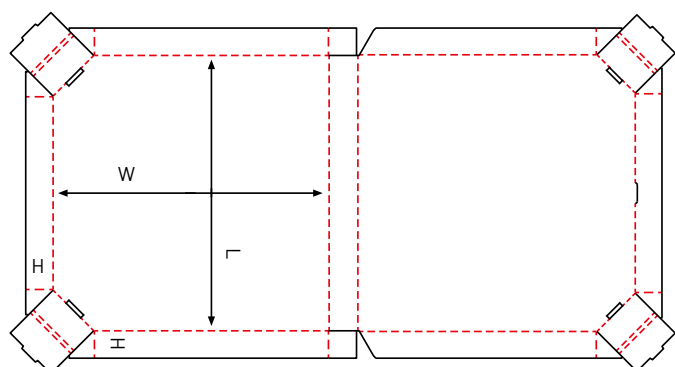
## 0461 M/A

NEW



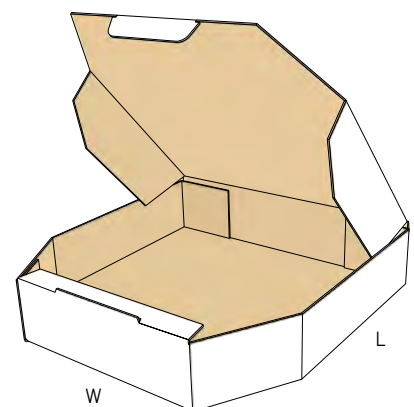
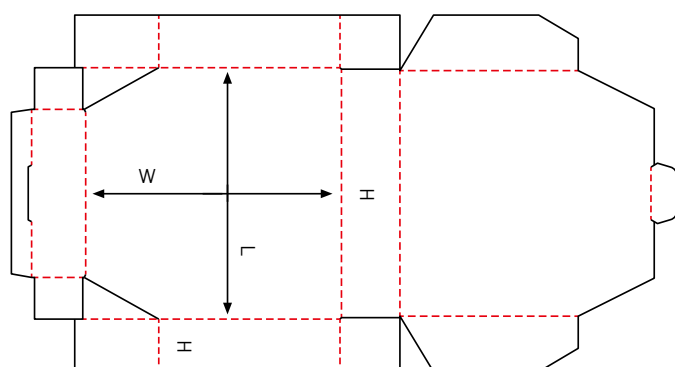
## 0462 M

NEW



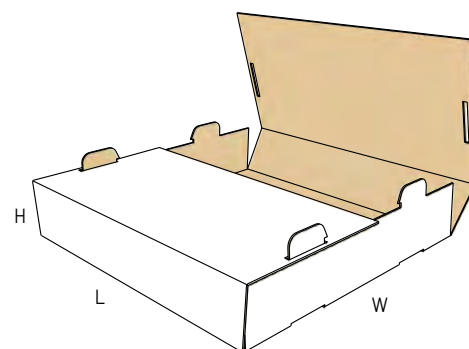
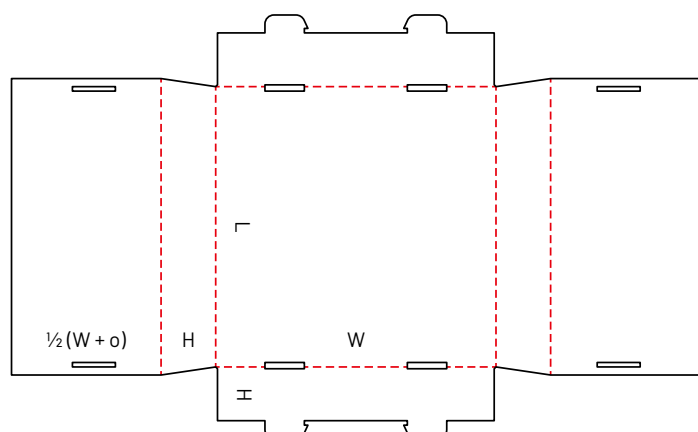
## 0463 M

NEW



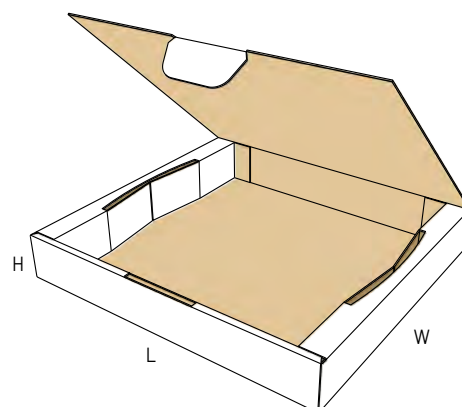
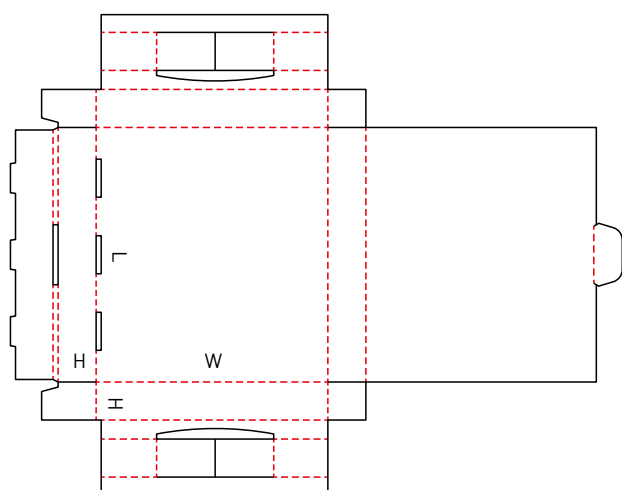
## 0464 M

NEW



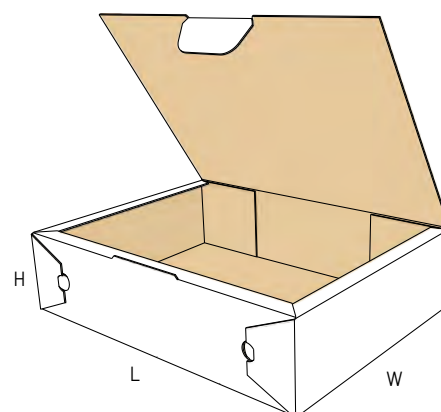
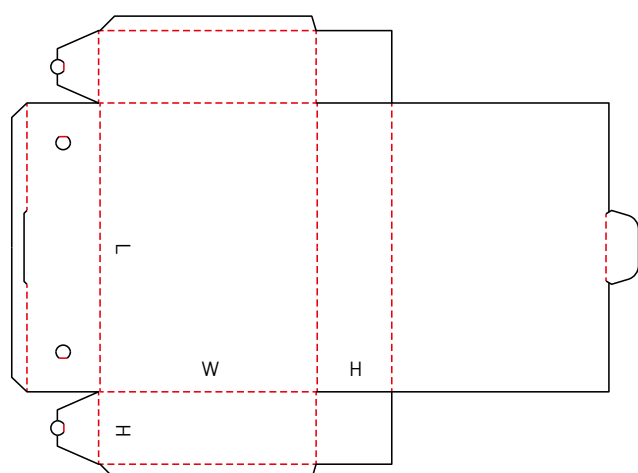
## 0465 M

NEW



## 0466 M

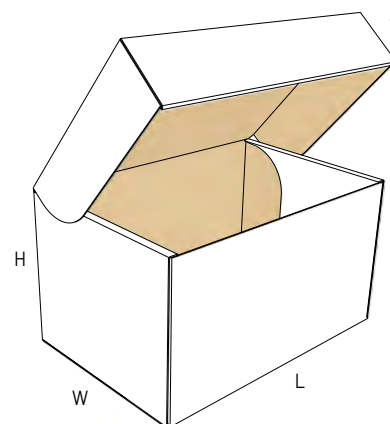
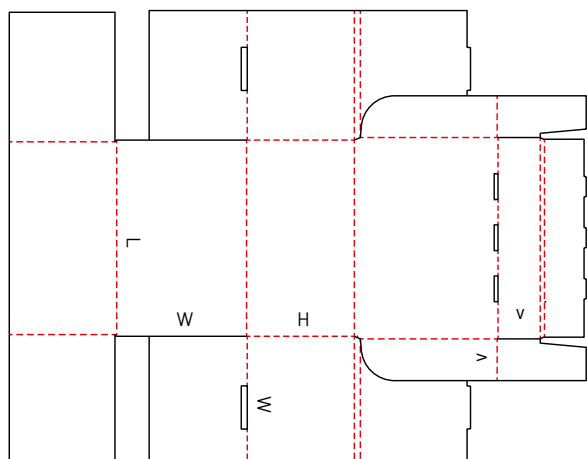
NEW



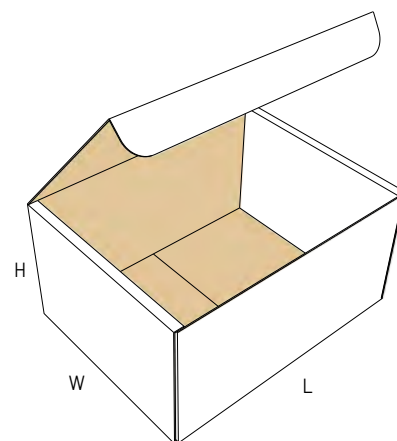
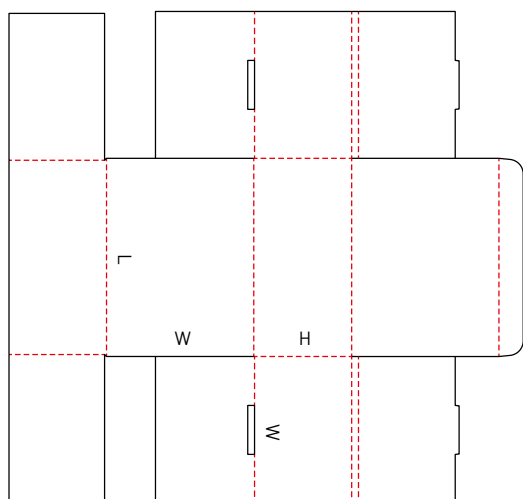


## 0469 M

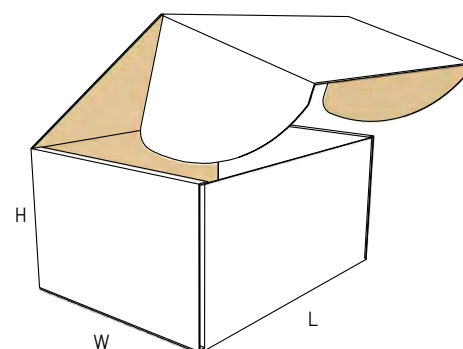
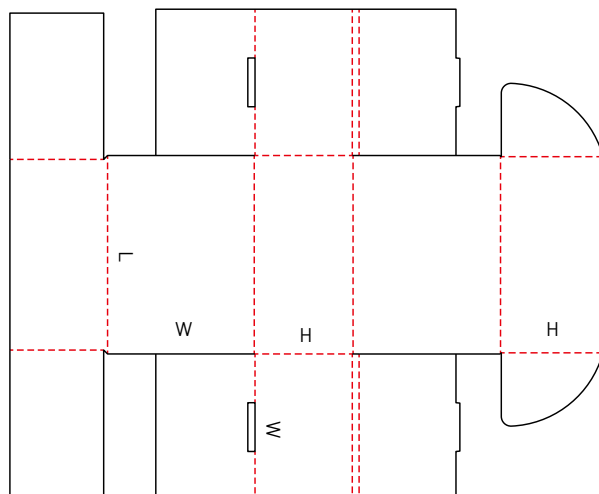
NEW



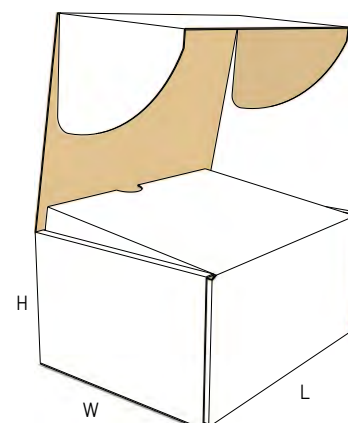
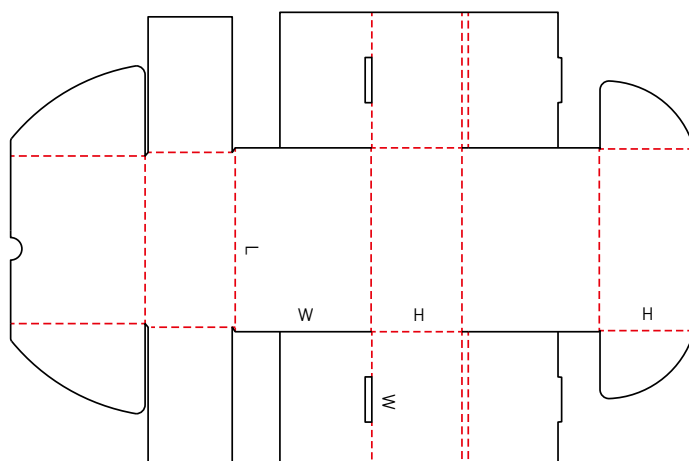
## 0470 M



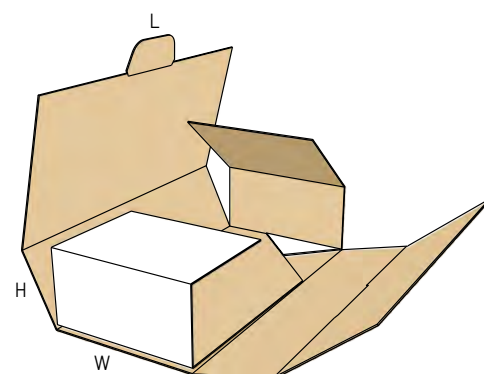
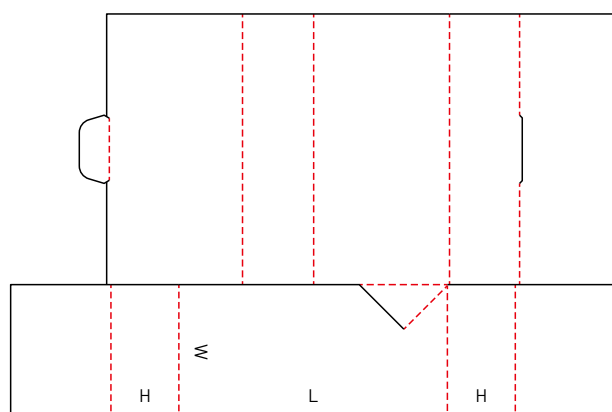
## 0471 M



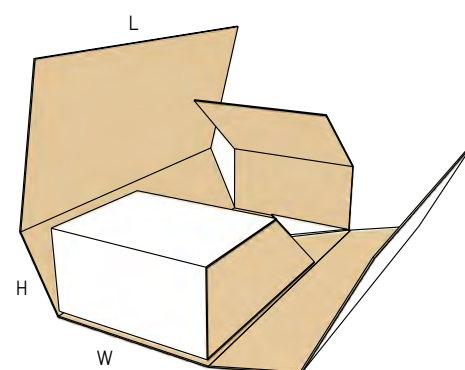
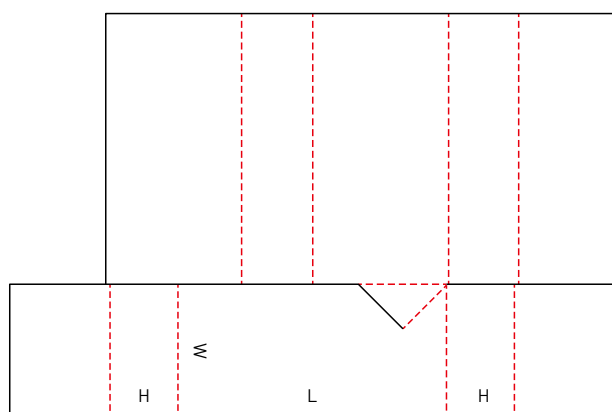
## 0472 M



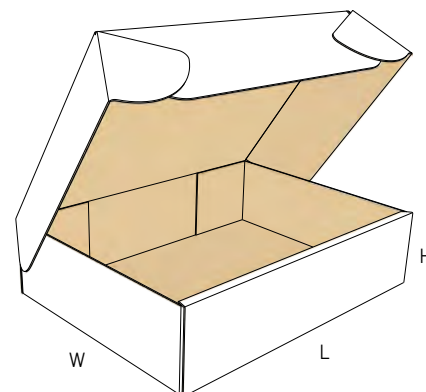
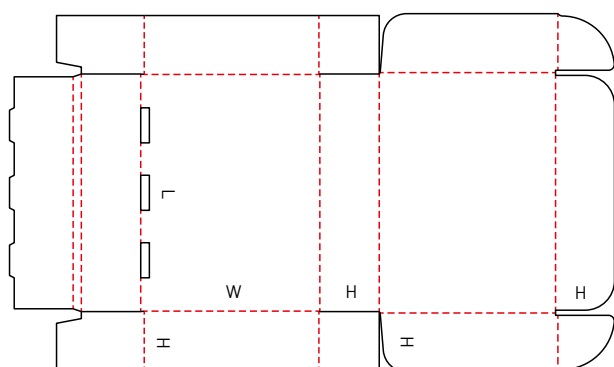
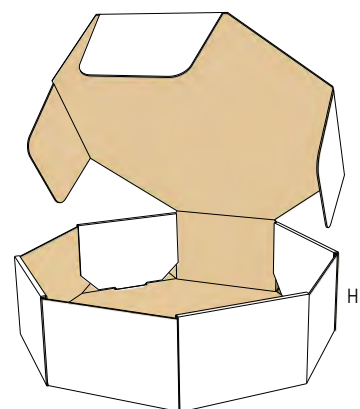
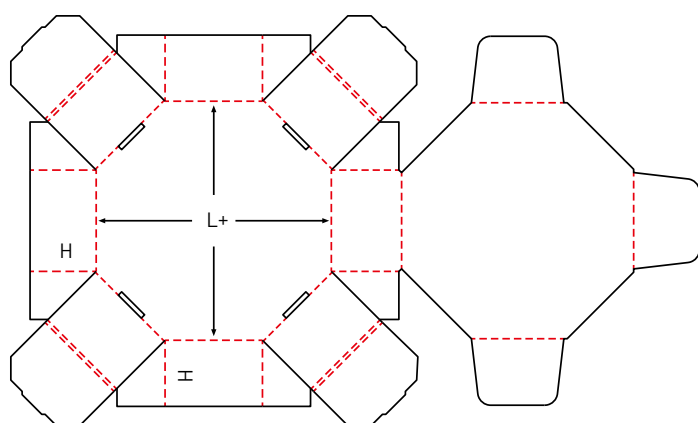
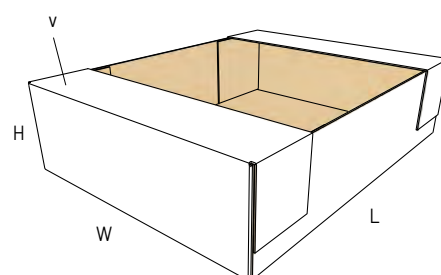
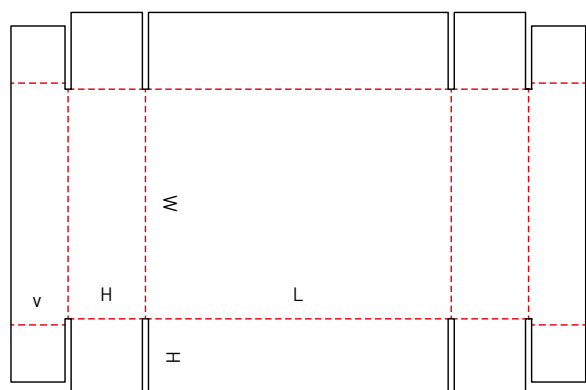
## 0473 M



## 0474 M

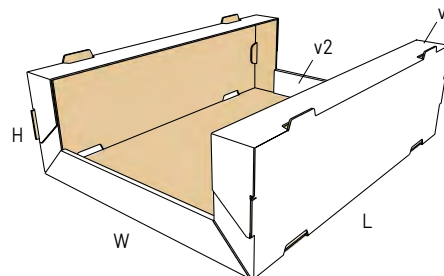
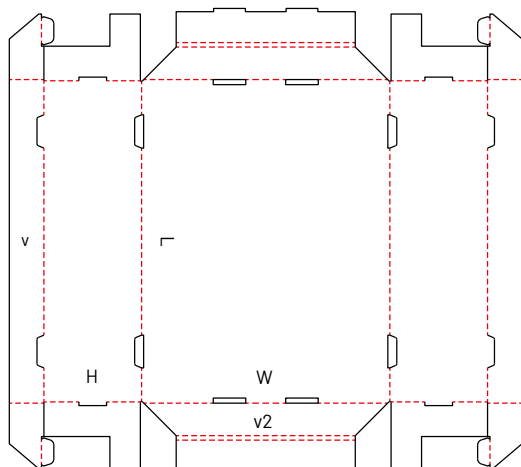


NEW

0475 **M****NEW**0476 **M****NEW**0480 **A**

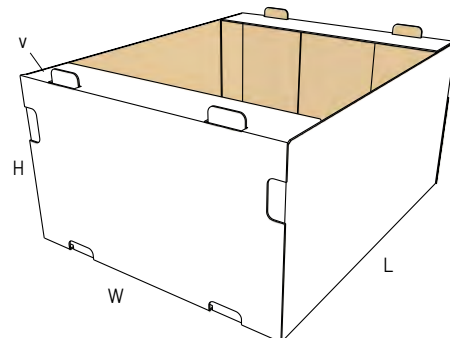
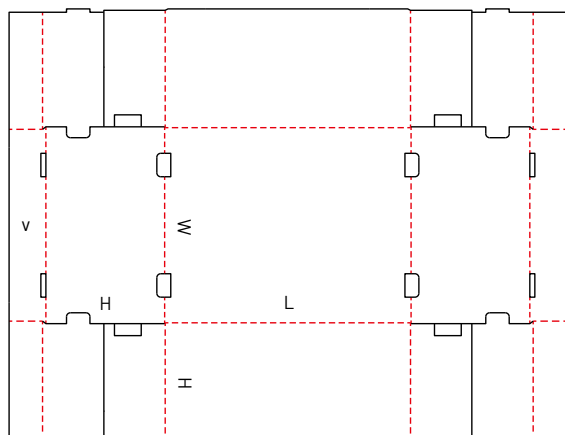
## 0481 M

NEW



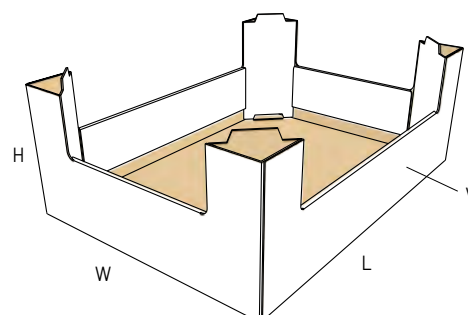
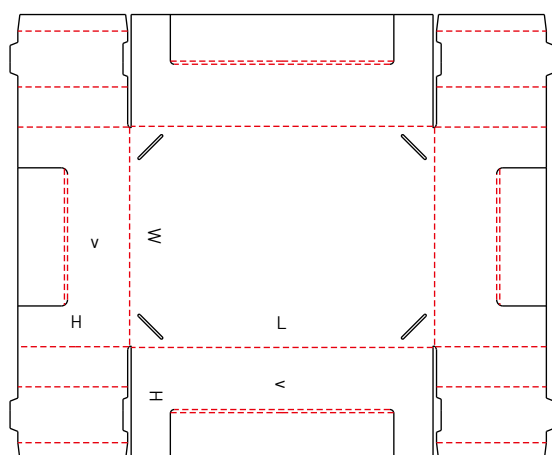
## 0482 M

NEW



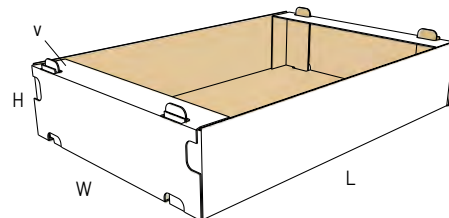
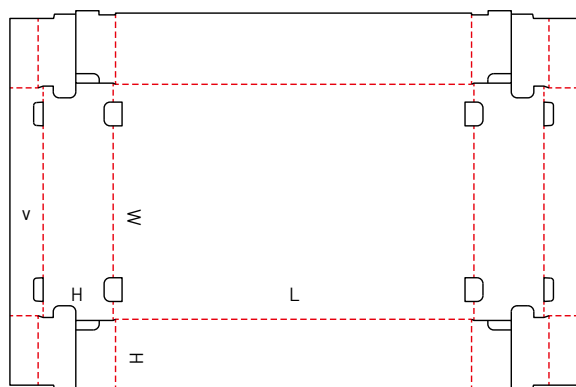
## 0483 A

NEW



## 0484 M

NEW



## 0485 M

NEW

